

**IHI**

# CCH 1500-5

## Fully Hydraulic Crawler Crane

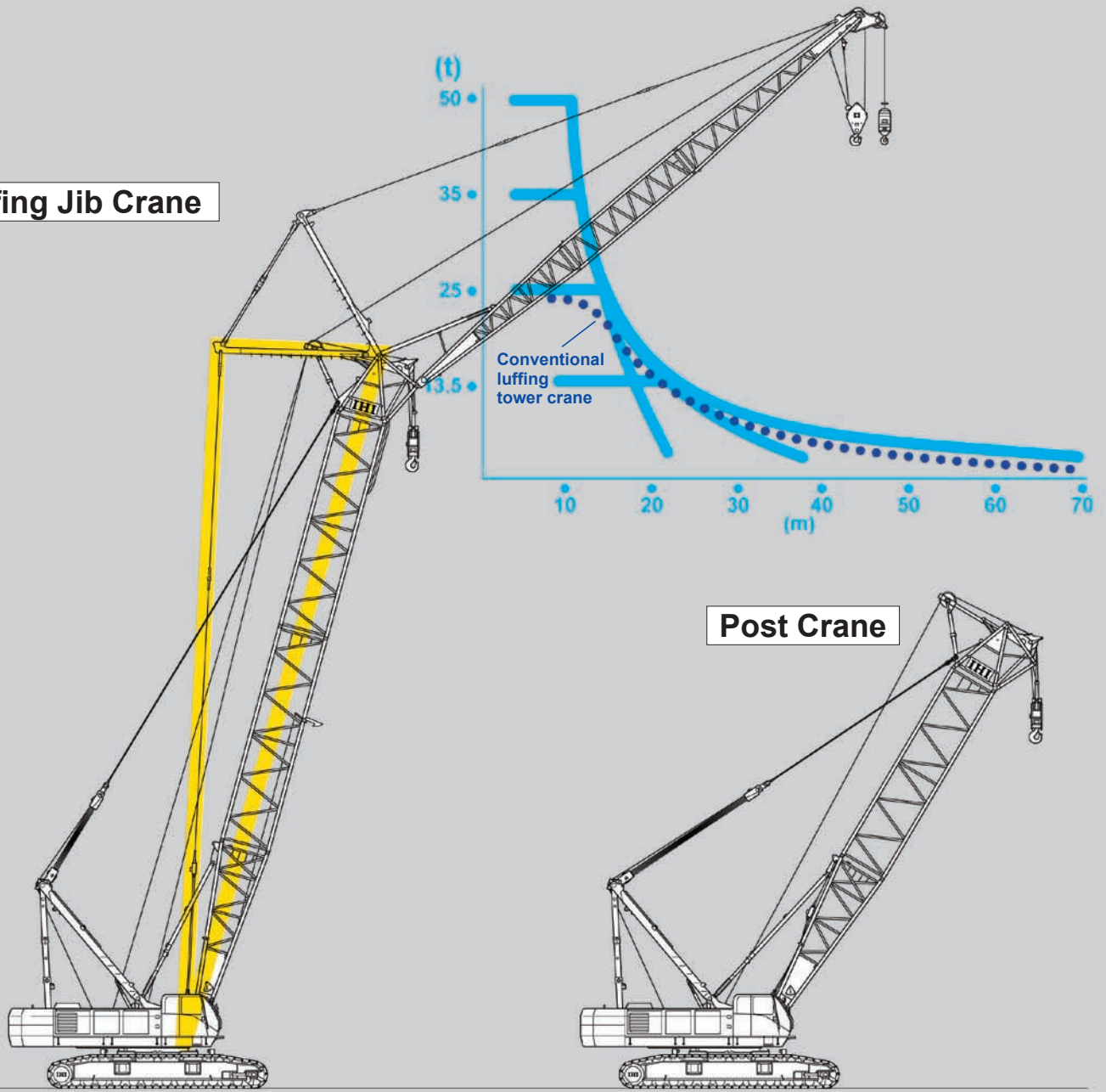
Lifting capacity 150 metric tons



**IHI Construction Machinery Limited**

# Luffing Jib Crane evolved to equip “Auxiliary Jib”

**Luffing Jib Crane**

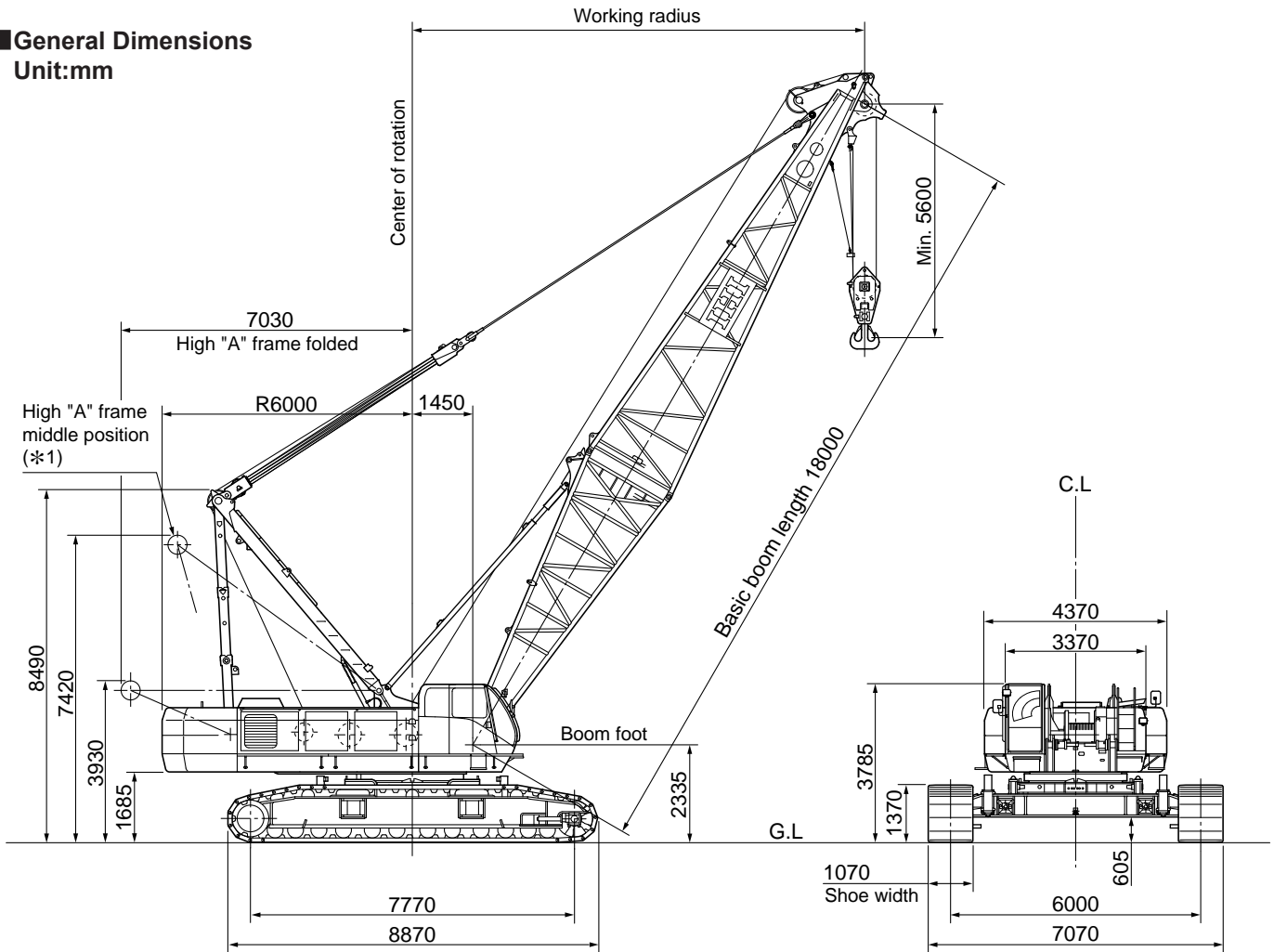


**Post Crane**

Selections are available from:  
 1) 50-ton lifting with Post  
 2) 25-ton lifting with Luffing Jib  
 3) 13.5-ton lifting with Auxiliary Jib  
 Simultaneous lifting by Post and Auxiliary Jib is not permitted.

Middle Equalizer for Luffing Jib lifting is tentatively stowed on inner post when the Luffing Jib is dismantled.

**General Dimensions**  
Unit:mm



**Specifications**

Performance	
Swing speed	1.7min <sup>-1</sup> (1.7rpm)[Constant swing speed 0.6min <sup>-1</sup> (0.6rpm)---optional]
Travel speed	※1.1/0.7km/h
Gradability	30% (16.7°)
Engine	
Make	Cummins Inc.
Model	QSL
Type	Water cooled, 4-cycle, direct fuel injection, turbocharged
Rated output	242kw/2000min <sup>-1</sup>
Total piston displacement	8.9L
Fuel tank capacity	400L
Battery	12V x 2pcs.
Main hoist system (Front left axle, also used for hoisting tower jib)	
Hydraulic motor	Variable displacement axial piston type
Reduction gear	Two-stage planetary gear
Hoist drum	Single drum driven independently by hydraulic motor, lebus grooved drum
Clutch	Internal expanding band type
Brake	External contracting band type
Drum lock	Ratchet lock
Aux. hoist system (Rear left axle)	
Hydraulic motor	Variable displacement axial piston type
Reduction gear	Two-stage planetary gear
Hoist drum	Single drum driven independently by hydraulic motor, lebus grooved drum
Clutch	Internal expanding band type
Brake	External contracting band type
Drum lock	Ratchet lock
Boom hoist system (Rear right axle, also used for hoisting tower post)	
Hydraulic motor	Variable displacement axial piston type
Reduction gear	Three-stage planetary gear
Hoist drum	Dual drums driven independently by hydraulic motor, lebus grooved drum
Brake	Wet type multi-disk
Drum lock	Ratchet lock

※The travel speed changes depending on the load.

**Standard equipment**

- **Instrument for crane**
    - Engine tachometer (Hour meter)
    - Hydraulic oil pressure gauge (for control circuit)
    - Fuel level gauge
    - Engine coolant thermo indicator (indicated bar graph in OK monitor)
  - **Lighting for crane**
    - 2-Work light (24V x 80w)
    - 1-Room light (24V x 10w)
  - **Safety devices**
    - Automatic stop for hook overwinding
    - Automatic stop for boom overwinding
    - 2nd boom stop device (non-resettable)
    - Telescopic boom limit stop
    - Swing lock
    - Main and auxiliary drum lock
    - Boom hoist drum lock
    - Safety valve for hydraulic circuit
    - Clutch engage pin on main and auxiliary winch
    - Counter balance valve
    - Control lever locking device
    - Traction lever lock
    - Automatic braking system
    - Engine start voice alarm
  - **Other standard accessories**
    - Front windshield wipers (intermittent, w/washer)
    - Roof wipers (intermittent, w/washer)
    - Sunvisor
    - Sun shade
    - Storage pouch
    - Tool box
    - Reclining operator's seat
    - Floor mat
    - Steps for operator's cab
    - Radio
    - Cigarette lighter
    - Ash tray
- Large rear view mirrors (right/left)  
Signal horn  
Electric fuel filling pump  
Swing warning flasher & alarm  
Travel warning alarm  
High "A" frame erecting device  
Low-noise cab  
Bronze tinted glass  
Wire mesh boom workway (for inner boom)  
Foot rest  
Electric type engine throttle  
Foot pedal-type engine throttle  
Ultra low-speed control (w/selector switch for coupling with engine speed or independent)  
Hydraulic assist brake for main and aux. winch  
Winch mode selector for main and aux. winch  
Rope guide roller on outer boom  
Plug socket  
Loud speaker  
Dial-type winch speed adjustment device (main, aux. and boom)  
Pump power shift device  
Emergency engine stop switches  
Foot pin cylinder device  
Fulcrum plate for erecting attachment (also used as climbing step to operator's cabin)

**Optional equipment**

- Moment limiter(\*2)
- Optional boom canthus setting device (included in moment limiter)
- Automatic stop system (activated when near the marginal angle or when load is 90%)
- Built-in type air conditioner
- Large-sized storage bin

(\*1) High "A" frame middle position when mast is in use.  
(\*2) Optional depend on region.

## Specifications

Max. Lifting capacity x working radius	150metric tons x 5.0m	
Max. boom length	84m	
Max. boom length (main + jib)	103m(72m boom+31m jib)	
Rope speed	Main drum hoist/lowering	* 110~55/55~28m/min
	Aux. drum hoist/lowering	* 110~55/55~28m/min
	Boom drum hoist/lowering	* 32~14m/min x 2
Part line	Hook block capacity x Part line	150ton x 12
	Hook block capacity x Part line	13.5ton x 1
	Boom drum hoist	18
Counterweight	64ton	
Total operating weight (with 18m boom)	161ton	
Average ground bearing pressure	89kPa(0.91kgf/cm <sup>2</sup> )	

\* The rope speed changes depending on the load.

## Combination of Boom and Jib (●: Available combination)

Jib length (m)	Boom length (m)											
	18	21	24	27	30	33	36	39	42	45	48	51
Auxiliary	●	●	●	●	●	●	●	●	●	●	●	●
13	⊗	⊗	⊗	⊗	⊗	⊗	⊗	⊗	⊗	⊗	⊗	⊗
19	⊗	⊗	⊗	⊗	⊗	⊗	⊗	⊗	⊗	●	●	●
25	⊗	⊗	⊗	⊗	⊗	⊗	⊗	⊗	⊗	●	●	●
31	⊗	⊗	⊗	⊗	⊗	⊗	⊗	⊗	⊗	●	●	●

Jib length (m)	Boom length (m)										
	54	57	60	63	66	69	72	75	78	81	84
Auxiliary	●	●	●	●	●	●	●	●	●	●	●
13	⊗	⊗	⊗	⊗	⊗	⊗	⊗	⊗	⊗	⊗	⊗
19	⊗	⊗	⊗	⊗	⊗	⊗	⊗	⊗	⊗	⊗	⊗
25	⊗	⊗	⊗	⊗	⊗	⊗	⊗	⊗	⊗	⊗	⊗
31	⊗	⊗	⊗	⊗	⊗	⊗	⊗	⊗	⊗	⊗	⊗

## Wire Rope

Place of use	Rope diameter (mm)	Guaranteed strength (ton)	Rope type
Main drum	φ 28	70.2	P•S(19)+39 x P7
Boom hoist	φ 22	36.3	IWRC6 x WS(31)
Boom suspension	φ 34	104.0	IWRC6 x P•WS(36)
Aux. drum	φ 28	70.2	P•S(19)+39 x P7
Jib suspension	φ 28	59.7	IWRC6 x Fi(29)
Jib strut suspension	φ 31.5	74.9	IWRC6 x Fi(29)

Note: Wire rope length to be determined according to the boom length.

## Crane boom composition

The following tables show standard combinations for each boom and jib length.

### Boom standard combination

Combination	Boom length (m)											
	18	21	24	27	30	33	36	39	42	45	48	51
7.5m inner	1	1	1	1	1	1	1	1	1	1	1	1
3.0m insert	—	1	2	1	1	2	1	2	1	2	1	2
6.0m insert	—	—	—	1	—	—	1	1	2	1	1	2
9.0m insert	—	—	—	—	1	1	1	1	1	2	2	2
10.5m outer	1	1	1	1	1	1	1	1	1	1	1	1

Combination	Boom length (m)										
	54	57	60	63	66	69	72	75	78	81	84
7.5m inner	1	1	1	1	1	1	1	1	1	1	1
3.0m insert	1	2	1	1	2	1	1	2	1	1	2
6.0m insert	1	1	2	1	1	2	1	1	2	1	1
9.0m insert	3	3	3	4	4	4	5	5	5	6	6
10.5m outer	1	1	1	1	1	1	1	1	1	1	1

Note: Installation of mast is required for boom length exceeding 69m.

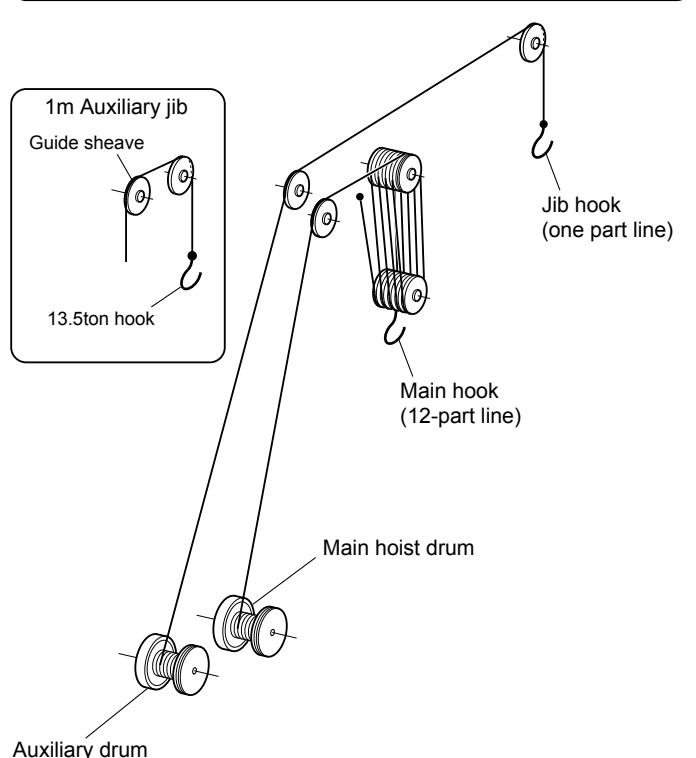
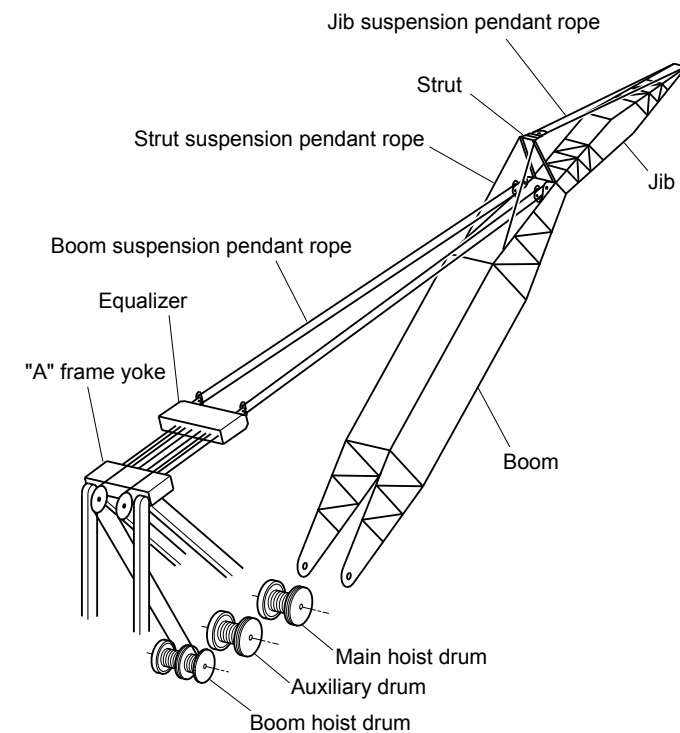
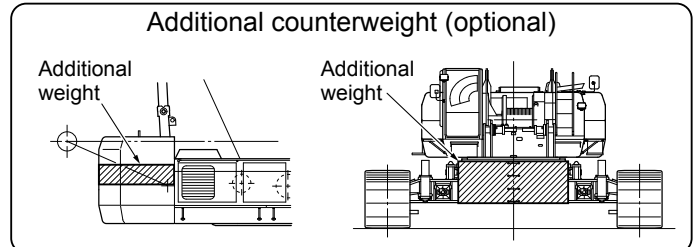
### Jib standard combination

Combination	Jib length (m)			
	13	19	25	31
6.5m inner	1	1	1	1
6.0m insert	—	1	2	3
6.5m outer	1	1	1	1

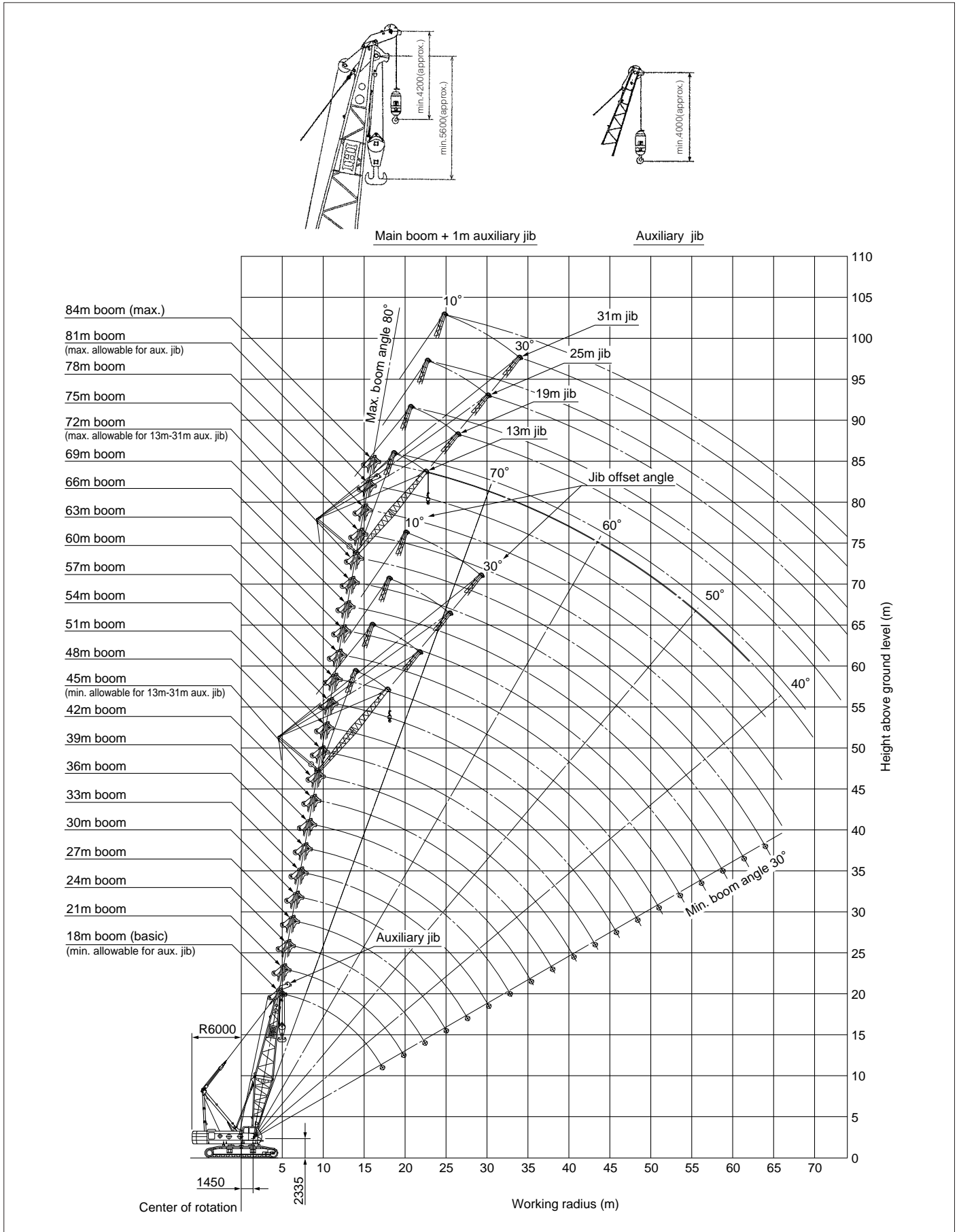
\* Contact IHI if other combinations required.

## Additional counterweight (optional)

Counterweight	94t
Total operating weight (with 18m boom)	191t
Average ground bearing pressure	108kPa (1.10kg/cm <sup>2</sup> )



## Working range (No load condition)



## ■ Main boom rated lifting loads (64ton counterweight)

(Unit:metric ton)

Boom length (m) Working radius (m)	18.0	21.0	24.0	27.0	30.0	33.0	36.0	39.0	42.0	45.0	48.0	51.0	54.0	57.0	60.0
5.0	5.0m x 150.0	5.6m x 142.0													
6.0	146.1	142.0	6.1m x 134.0	6.6m x 125.0											
7.0	137.3	137.2	134.0	125.0	7.2m x 118.0	7.7m x 108.0									
8.0	113.3	113.2	113.1	113.0	112.9	108.0	8.2m x 98.0	8.7m x 92.0							
9.0	94.6	94.5	94.4	94.3	94.2	94.1	94.0	92.0	9.2m x 84.0	9.8m x 80.0					
10.0	80.9	80.8	80.7	80.6	80.5	80.4	80.3	80.2	80.1	80.0	10.3m x 77.0	10.8m x 73.0	11.3m x 68.0	11.9m x 62.0	
12.0	63.2	63.1	63.0	62.9	62.8	62.7	62.6	62.5	62.4	62.3	62.2	62.0	61.9	61.7	12.4m x 59.1
14.0	50.7	50.6	50.5	50.4	50.3	50.3	50.2	50.1	50.0	49.9	49.8	49.7	49.6	49.5	49.4
16.0	42.3	42.2	42.1	42.0	41.9	41.8	41.7	41.6	41.5	41.4	41.3	41.1	41.0	40.9	40.7
18.0	17.2m x 38.7	36.2	36.0	35.9	35.8	35.7	35.6	35.4	35.3	35.2	35.1	35.1	35.0	34.9	34.9
20.0		19.8m x 31.8	31.2	31.1	31.0	30.8	30.7	30.6	30.4	30.3	30.3	30.2	30.2	30.1	30.1
22.0			27.4	27.3	27.2	27.1	27.0	26.8	26.7	26.6	26.5	26.4	26.4	26.3	26.2
24.0			22.4m x 26.8	24.2	24.1	24.0	23.9	23.7	23.6	23.5	23.4	23.3	23.1	23.0	22.9
26.0				25.0m x 22.9	21.6	21.5	21.4	21.3	21.2	21.1	21.0	20.8	20.7	20.5	20.4
28.0					27.6m x 19.9	19.4	19.3	19.2	19.1	19.0	18.9	18.7	18.6	18.4	18.3
30.0						17.5	17.5	17.4	17.3	17.2	17.0	16.9	16.7	16.6	16.4
32.0							30.2m x 17.4	16.0	15.9	15.8	15.7	15.5	15.4	15.1	14.9
34.0								32.8m x 15.4	14.5	14.5	14.4	14.2	14.1	13.9	13.5
36.0									35.4m x 13.8	13.4	13.3	13.1	12.9	12.8	12.4
38.0										38.0m x 12.3	12.2	12.0	11.8	11.7	11.3
40.0											11.3	11.1	10.9	10.7	10.3
42.0										40.6m x 11.0	10.2	10.0	9.8	9.6	9.5
44.0											43.2m x 9.8	9.3	9.1	8.9	8.7
46.0												45.8m x 8.7	8.4	8.2	8.0
48.0													7.7	7.6	7.4
50.0													48.4m x 7.6	7.0	6.8
52.0														51.0m x 6.7	6.3
54.0															53.6m x 5.9

Boom length (m) Working radius (m)	63.0	66.0	69.0	72.0	75.0	78.0	81.0	84.0
12.0	12.9m x 54.0	13.4m x 48.0	13.9m x 44.0					
14.0	49.3	48.0	44.0	14.5m x 39.0	15.0m x 34.5	15.5m x 31.0		
16.0	40.6	40.5	40.3	39.0	34.5	31.0	16.0m x 27.5	16.5m x 24.0
18.0	34.8	34.7	34.7	34.6	34.2	31.0	27.5	24.0
20.0	30.0	30.0	29.9	29.9	29.6	29.3	27.5	24.0
22.0	26.1	26.1	26.0	25.9	25.6	25.4	25.1	24.0
24.0	22.8	22.6	22.5	22.4	22.2	22.1	21.9	21.8
26.0	20.2	20.1	19.9	19.8	19.6	19.5	19.3	19.2
28.0	18.1	18.0	17.8	17.7	17.5	17.3	17.2	17.0
30.0	16.3	16.1	16.0	15.8	15.6	15.5	15.3	15.2
32.0	14.8	14.6	14.5	14.3	14.1	13.9	13.7	13.6
34.0	13.4	13.2	13.0	12.9	12.7	12.5	12.4	12.2
36.0	12.2	12.1	11.9	11.7	11.5	11.3	11.1	11.0
38.0	11.1	10.9	10.7	10.6	10.4	10.2	10.1	9.9
40.0	10.1	9.9	9.7	9.6	9.4	9.2	9.1	8.9
42.0	9.3	9.1	8.9	8.7	8.6	8.4	8.3	8.1
44.0	8.5	8.3	8.1	7.9	7.8	7.6	7.5	7.3
46.0	7.8	7.6	7.4	7.2	7.1	6.9	6.8	6.6
48.0	7.2	7.0	6.8	6.6	6.5	6.3	6.1	5.9
50.0	6.6	6.4	6.2	6.0	5.9	5.7	5.5	5.3
52.0	6.1	5.9	5.7	5.5	5.3	5.1	4.9	4.7
54.0	5.6	5.4	5.2	5.0	4.8	4.6	4.3	4.1
56.0	5.2	5.0	4.8	4.6	4.4	4.1	3.9	3.6
58.0	56.2m x 5.1	4.5	4.3	4.1	3.9	3.6	3.4	3.1
60.0		58.8m x 4.3	3.8	3.6	3.4	3.1	2.9	2.6
62.0			61.4m x 3.5	3.2	3.0	2.8	2.6	2.4
64.0				64.0m x 2.8	2.6	2.4	2.1	
66.0					2.2	2.0		

### Notes

- Above rated loads are based on the machine being operated on firm level ground, within 78% of tipping load at any point of 360° around the machine with forward stability factor of over 1.15.
- Working radius is horizontal distance from center of rotation to a vertical line through the center of gravity of the load.
- The weight of the slings, hook block(s) and auxiliary lifting devices must be considered to be a part of the load.  
Hook block weight:  
150ton hook block...2.40ton 100ton hook block...1.40ton  
60ton hook block...1.20ton 50ton hook block...1.00ton  
30ton hook block...1.00ton 13.5ton hook block...0.60ton
- Jib boom can be fitted to main boom in the following combinations.

Jib length(m)	Auxiliary	13.0	19.0	25.0	31.0
Boom length(m)	18.0~81.0	45.0~72.0	45.0~72.0	45.0~72.0	45.0~72.0

- When jib boom is fitted actual loads that can be lifted with main hook block should be reduced according to the below table (the weights include auxiliary hook block).

Jib length(m)	Auxiliary	13.0	19.0	25.0	31.0
Weight to be deducted(ton)	0.80	3.5	4.0	4.9	6.0

- High "A" Frame should be extended before working.  
Extend the "A" frame to the highest position when there is no mast.  
Extend the "A" frame to the mid-position when there is a mast.
- Depending on the number of part lines, rated lifting load is limited as follows:  
1Part line...up to 13.5ton 2Part line...up to 25.0ton  
3Part line...up to 37.5ton 4Part line...up to 50.0ton  
5Part line...up to 62.5ton 6Part line...up to 75.0ton  
7Part line...up to 87.5ton 8Part line...up to 100.0ton  
9Part line...up to 112.5ton 10Part line...up to 125.0ton  
11Part line...up to 137.5ton 12Part line...up to 150.0ton
- Always use a mast for boom length of 69m or over. Carefully follow the instruction manual concerning installation of pendant rope.
- Rated loads shown in bold lines are based on structural strength factors.

## 1m Jib rated lifting loads (64ton counterweight)

(Unit: metric ton)

Boom length (m) \ Working radius (m)	18.0	21.0	24.0	27.0	30.0	33.0	36.0	39.0	42.0	45.0	48.0	51.0	54.0	57.0	60.0
5.0	5.9m x 13.5														
6.0	13.5	6.4m x 13.5													
7.0	13.5	13.5	7.0m x 13.5	7.5m x 13.5											
8.0	13.5	13.5	13.5	13.5	8.0m x 13.5	8.5m x 13.5									
9.0	13.5	13.5	13.5	13.5	13.5	13.5	9.0m x 13.5	9.6m x 13.5							
10.0	13.5	13.5	13.5	13.5	13.5	13.5	13.5	13.5	10.1m x 13.5	10.5m x 13.5	11.1m x 13.5	11.6m x 13.5			
12.0	13.5	13.5	13.5	13.5	13.5	13.5	13.5	13.5	13.5	13.5	13.5	13.5	12.2m x 13.5	12.7m x 13.5	13.2m x 13.5
14.0	13.5	13.5	13.5	13.5	13.5	13.5	13.5	13.5	13.5	13.5	13.5	13.5	13.5	13.5	13.5
16.0	13.5	13.5	13.5	13.5	13.5	13.5	13.5	13.5	13.5	13.5	13.5	13.5	13.5	13.5	13.5
18.0	13.5	13.5	13.5	13.5	13.5	13.5	13.5	13.5	13.5	13.5	13.5	13.5	13.5	13.5	13.5
20.0	18.8m x 13.5	13.5	13.5	13.5	13.5	13.5	13.5	13.5	13.5	13.5	13.5	13.5	13.5	13.5	13.5
22.0		21.4m x 13.5	13.5	13.5	13.5	13.5	13.5	13.5	13.5	13.5	13.5	13.5	13.5	13.5	13.5
24.0			24.0m x 13.5	13.5	13.5	13.5	13.5	13.5	13.5	13.5	13.5	13.5	13.5	13.5	13.5
26.0				13.5	13.5	13.5	13.5	13.5	13.5	13.5	13.5	13.5	13.5	13.5	13.5
28.0				26.6m x 13.5	13.5	13.5	13.5	13.5	13.5	13.5	13.5	13.5	13.5	13.5	13.5
30.0					29.2m x 13.5	13.5	13.5	13.5	13.5	13.5	13.5	13.5	13.5	13.5	13.5
32.0						31.7m x 13.5	13.5	13.5	13.5	13.5	13.5	13.5	13.5	13.5	13.5
34.0							13.5	13.5	13.5	13.5	13.4	13.3	13.1	12.9	12.7
36.0							34.3m x 13.4	12.6	12.6	12.5	12.3	12.1	12.0	11.8	11.6
38.0								36.9m x 12.1	11.5	11.4	11.2	11.0	10.9	10.7	10.5
40.0									39.5m x 10.8	10.5	10.3	10.1	9.9	9.7	9.5
42.0										9.6	9.4	9.2	9.0	8.8	8.7
44.0										42.1m x 9.6	8.7	8.5	8.3	8.1	7.9
46.0											44.7m x 8.5	7.8	7.6	7.4	7.2
48.0												47.3m x 7.4	6.9	6.8	6.6
50.0													49.9m x 6.4	6.2	6.0
52.0														5.6	5.5
54.0														52.6m x 5.5	5.0
56.0															55.1m x 4.7

Boom length (m) \ Working radius (m)	63.0	66.0	69.0	72.0	75.0	78.0	81.0
12.0	13.7m x 13.5						
14.0	13.5	14.2m x 13.5	14.8m x 13.5	15.3m x 13.5	15.8m x 13.5		
16.0	13.5	13.5	13.5	13.5	13.5	16.3m x 13.5	16.9m x 13.5
18.0	13.5	13.5	13.5	13.5	13.5	13.5	13.5
20.0	13.5	13.5	13.5	13.5	13.5	13.5	13.5
22.0	13.5	13.5	13.5	13.5	13.5	13.5	13.5
24.0	13.5	13.5	13.5	13.5	13.5	13.5	13.5
26.0	13.5	13.5	13.5	13.5	13.5	13.5	13.5
28.0	13.5	13.5	13.5	13.5	13.5	13.5	13.5
30.0	13.5	13.5	13.5	13.5	13.5	13.5	13.5
32.0	13.5	13.5	13.5	13.5	13.3	13.1	12.9
34.0	12.6	12.4	12.2	12.1	11.9	11.7	11.6
36.0	11.4	11.3	11.1	10.9	10.7	10.5	10.3
38.0	10.3	10.1	9.9	9.8	9.6	9.4	9.3
40.0	9.3	9.1	8.9	8.8	8.6	8.4	8.3
42.0	8.5	8.3	8.1	7.9	7.8	7.6	7.5
44.0	7.7	7.5	7.3	7.1	7.0	6.8	6.7
46.0	7.0	6.8	6.6	6.4	6.3	6.1	6.0
48.0	6.4	6.2	6.0	5.8	5.7	5.5	5.3
50.0	5.8	5.6	5.4	5.2	5.1	4.9	4.7
52.0	5.3	5.1	4.9	4.7	4.5	4.3	4.1
54.0	4.8	4.6	4.4	4.2	4.0	3.8	3.5
56.0	4.4	4.2	4.0	3.8	3.6	3.3	3.1
58.0	57.7m x 3.9	3.7	3.5	3.3	3.1	2.8	2.6
60.0		3.2	3.0	2.8	2.6	2.3	2.1
62.0		60.3m x 3.1	2.6	2.4	2.2	2.0	1.8
64.0			62.9m x 2.4	2.0	1.8	1.6	
66.0				65.5m x 1.7			

### Notes

- Above rated loads are based on the machine being operated on firm level ground, within 78% of tipping load at any point of 360° around the machine with forward stability factor of over 1.15.
- Working radius is horizontal distance from center of rotation to a vertical line through the center of gravity of the load.
- When the main hook block is installed, the lifting loads of jib must be reduced by the weight of hook block (main and jib) and other lifting devices.  
 150ton hook block...2.40ton      100ton hook block...1.40ton  
 60ton hook block...1.20ton      50ton hook block...1.00ton  
 30ton hook block...1.00ton      13.5ton hook block...0.60ton
- Boom lengths for auxiliary jib attachment are 18.0m-81.0m.
- Always extend the "A" frame during operation.
- Use the 1m auxiliary jib for crane operations only. Do not use for bucket operations.
- Rated loads for the 1m auxiliary jib are based on structural strength.

## Aux. jib rated lifting loads (64ton counterweight)

(Unit: metric ton)

Boom length (m)	45.0								48.0								51.0										
Jib length (m)	13.0		19.0		25.0		31.0		13.0		19.0		25.0		31.0		13.0		19.0		25.0		31.0				
Offset angle	10°	30°	10°	30°	10°	30°	10°	30°	10°	30°	10°	30°	10°	30°	10°	30°	10°	30°	10°	30°	10°	30°	10°	30°			
Working radius (m)	10°	30°	10°	30°	10°	30°	10°	30°	10°	30°	10°	30°	10°	30°	10°	30°	10°	30°	10°	30°	10°	30°	10°	30°			
14.0	14.1m x 13.5		15.5m x 12.0							14.6m x 13.5									15.1m x 13.5								
16.0	13.5		12.0							13.5									13.5								
18.0	13.5	18.0m x 13.0	12.0		18.2m x 8.0		19.7m x 3.5		13.5	18.5m x 13.0	12.0		18.7m x 8.0					13.5	19.0m x 13.0	12.0		19.2m x 8.0					
20.0	13.5	13.0	12.0	8.0	8.0		3.5		13.5	13.0	12.0	8.0	8.0			20.2m x 3.5		13.5	13.0	12.0		8.0		20.7m x 3.5			
22.0	13.5	13.0	12.0	8.0	8.0		3.5		13.5	13.0	12.0	8.0	8.0			3.5		13.5	13.0	12.0		22.4m x 8.0	8.0		3.5		
24.0	13.5	13.0	12.0	8.0	8.0	25.7m x 6.0	3.5		13.5	13.0	12.0	8.0	8.0			3.5		13.5	13.0	12.0	8.0	8.0			3.5		
26.0	13.5	13.0	12.0	8.0	8.0	6.0	3.5		13.5	13.0	12.0	8.0	8.0	26.2m x 6.0	3.5		13.5	13.0	12.0	8.0	8.0	26.7m x 6.0			3.5		
28.0	13.5	13.0	12.0	8.0	8.0	6.0	3.5	29.0m x 3.0	13.5	13.0	12.0	8.0	8.0	6.0	3.5	29.6m x 3.0	13.5	13.0	12.0	8.0	8.0	6.0	3.5				
30.0	13.5	13.0	12.0	8.0	8.0	6.0	3.5	3.0	13.5	13.0	12.0	8.0	8.0	6.0	3.5	3.0	13.5	13.0	12.0	8.0	8.0	6.0	3.5	3.0	30.1m x 3.0		
32.0	13.5	13.0	12.0	8.0	8.0	6.0	3.5	3.0	13.5	13.0	12.0	8.0	8.0	6.0	3.5	3.0	13.5	13.0	12.0	8.0	8.0	6.0	3.5	3.0			
34.0	13.5	13.0	12.0	8.0	8.0	6.0	3.5	3.0	13.5	13.0	12.0	8.0	8.0	6.0	3.5	3.0	13.5	13.0	12.0	8.0	8.0	6.0	3.5	3.0			
36.0	13.3	13.0	12.0	8.0	8.0	6.0	3.5	3.0	13.1	13.0	12.0	8.0	8.0	6.0	3.5	3.0	12.9	12.9	12.0	8.0	8.0	6.0	3.5	3.0			
38.0	12.2	12.2	12.0	8.0	8.0	6.0	3.5	3.0	12.0	12.0	12.0	8.0	8.0	6.0	3.5	3.0	11.8	11.8	11.8	8.0	8.0	6.0	3.5	3.0			
40.0	11.3	11.3	11.3	8.0	8.0	6.0	3.5	3.0	11.1	11.1	11.1	8.0	8.0	6.0	3.5	3.0	10.9	10.9	10.9	8.0	8.0	6.0	3.5	3.0			
42.0	10.4	10.4	10.4	8.0	8.0	6.0	3.5	3.0	10.2	10.2	10.2	8.0	8.0	6.0	3.5	3.0	10.0	10.0	10.0	8.0	8.0	6.0	3.5	3.0			
44.0	9.7	9.7	9.7	8.0	8.0	6.0	3.5	3.0	9.5	9.5	9.5	8.0	8.0	6.0	3.5	3.0	9.3	9.3	9.3	8.0	8.0	6.0	3.5	3.0			
46.0	9.0	9.0	9.0	8.0	8.0	6.0	3.5	3.0	8.8	8.8	8.8	8.0	8.0	6.0	3.5	3.0	8.6	8.6	8.6	8.0	8.0	6.0	3.5	3.0			
48.0	8.3	8.3	8.3	8.0	8.0	6.0	3.5	3.0	8.1	8.1	8.1	8.0	8.0	6.0	3.5	3.0	7.9	7.9	7.9	7.9	7.9	7.9	6.0	3.5	3.0		
50.0	7.7	7.7	7.7	7.7	7.7	6.0	3.5	3.0	7.5	7.5	7.5	7.5	7.5	6.0	3.5	3.0	7.3	7.3	7.3	7.3	7.3	7.3	6.0	3.5	3.0		
52.0	7.2	7.2	7.2	7.2	7.2	6.0	3.5	3.0	7.0	7.0	7.0	7.0	7.0	6.0	3.5	3.0	6.8	6.8	6.8	6.8	6.8	6.8	6.0	3.5	3.0		
54.0	53.3m x 6.9	6.7	6.7	6.7	6.7	6.0	3.5	3.0	6.5	6.5	6.5	6.5	6.5	6.0	3.5	3.0	6.3	6.3	6.3	6.3	6.3	6.3	6.0	3.5	3.0		
56.0		54.2m x 6.7	6.3	6.3	6.3	6.0	3.5	3.0	56.9m x 6.1	6.1	6.1	6.1	6.1	6.0	3.5	3.0	5.9	5.9	5.9	5.9	5.9	5.9	5.9	5.9	5.9	5.9	5.9
58.0			5.8	5.8	5.8	5.8	3.5	3.0		56.8m x 5.9	5.6	5.6	5.6	5.6	3.5	3.0	5.4	5.4	5.4	5.4	5.4	5.4	5.4	5.4	5.4	5.4	
60.0			58.8m x 5.6	5.4	5.4	5.4	60.0m x 3.5	60.0m x 3.0			5.2	5.2	5.2	5.2	3.5	3.0	58.5m x 5.3	59.4m x 5.1	5.0	5.0	5.0	5.0	5.0	5.0	5.0	5.0	
62.0				60.2m x 5.4	5.0	5.0					61.4m x 4.9	4.8	4.8	4.8			62.0m x 3.5	62.0m x 3.0			4.6	4.6	4.6	4.6	4.6	4.6	
64.0					64.0m x 4.6	64.0m x 4.6							62.8m x 4.6	64.0m x 4.4	64.0m x 4.4					64.0m x 4.2	4.2	4.2	4.2	4.2	64.0m x 3.5	64.0m x 3.0	
66.0																					65.4m x 3.9	66.0m x 3.8	66.0m x 3.8				

Boom length (m)	54.0								57.0								
Jib length (m)	13.0		19.0		25.0		31.0		13.0		19.0		25.0		31.0		
Offset angle	10°	30°	10°	30°	10°	30°	10°	30°	10°	30°	10°	30°	10°	30°	10°	30°	
Working radius (m)	10°	30°	10°	30°	10°	30°	10°	30°	10°	30°	10°	30°	10°	30°	10°	30°	
14.0	15.6m x 13.5																
16.0	13.5		17.1m x 12.0						16.1m x 13.5		17.6m x 12.0						
18.0	13.5	19.5m x 13.0	12.0		19.8m x 8.0				13.5		12.0						
20.0	13.5	13.0	12.0		8.0		21.3m x 3.5		13.5	20.0m x 13.0	12.0		20.3m x 8.0		21.8m x 3.5		
22.0	13.5	13.0	12.0	22.9m x 8.0	8.0		3.5		13.5	13.0	12.0	23.4m x 8.0	8.0		3.5		
24.0	13.5	13.0	12.0	8.0	8.0		3.5		13.5	13.0	12.0	8.0	8.0		3.5		
26.0	13.5	13.0	12.0	8.0	8.0	27.2m x 6.0	3.5		13.5	13.0	12.0	8.0	8.0	27.7m x 6.0	3.5		
28.0	13.5	13.0	12.0	8.0	8.0	6.0	3.5		13.5	13.0	12.0	8.0	8.0	6.0	3.5		
30.0	13.5	13.0	12.0	8.0	8.0	6.0	3.5	30.6m x 3.0	13.5	13.0	12.0	8.0	8.0	6.0	3.5	31.1m x 3.0	
32.0	13.5	13.0	12.0	8.0	8.0	6.0	3.5	3.0	13.5	13.0	12.0	8.0	8.0	6.0	3.5	3.0	
34.0	13.5	13.0	12.0	8.0	8.0	6.0	3.5	3.0	13.5	13.0	12.0	8.0	8.0	6.0	3.5	3.0	
36.0	12.8	12.8	12.0	8.0	8.0	6.0	3.5	3.0	12.6	12.6	12.0	8.0	8.0	6.0	3.5	3.0	
38.0	11.7	11.7	11.7	8.0	8.0	6.0	3.5	3.0	11.5	11.5	11.5	8.0	8.0	6.0	3.5	3.0	
40.0	10.7	10.7	10.7	8.0	8.0	6.0	3.5	3.0	10.5	10.5	10.5	8.0	8.0	6.0	3.5	3.0	
42.0	9.8	9.8	9.8	8.0	8.0	6.0	3.5	3.0	9.6	9.6	9.6	8.0	8.0	6.0	3.5	3.0	
44.0	9.1	9.1	9.1	8.0	8.0	6.0	3.5	3.0	8.9	8.9	8.9	8.0	8.0	6.0	3.5	3.0	
46.0	8.4	8.4	8.4	8.0	8.0	6.0	3.5	3.0	8.2	8.2	8.2	8.0	8.0	6.0	3.5	3.0	
48.0	7.7	7.7	7.7	7.7	7.7	6.0	3.5	3.0	7.6	7.6	7.6	7.6	7.6	6.0	3.5	3.0	
50.0	7.1	7.1	7.1	7.1	7.1	6.0	3.5	3.0	7.0	7.0	7.0	7.0	7.0	6.0	3.5	3.0	
52.0	6.6	6.6	6.6	6.6	6.6	6.0	3.5	3.0	6.4	6.4	6.4	6.4	6.4	6.0	3.5	3.0	
54.0	6.1	6.1	6.1	6.1	6.1	6.0	3.5	3.0	5.9	5.9	5.9	5.9	5.9	5.9	5.9	5.9	5.9
56.0	5.7	5.7	5.7	5.7	5.7	5.7	3.5	3.0	5.5	5.5	5.5	5.5	5.5	5.5	5.5	5.5	5.5
58.0	5.2	5.2	5.2	5.2	5.2	5.2	3.5	3.0	5.0	5.0	5.0	5.0	5.0	5.0	5.0	5.0	5.0
60.0	4.8	4.8	4.8	4.8	4.8	4.8	3.5	3.0	4.6	4.6	4.6	4.6	4.6	4.6	4.6	4.6	4.6
62.0	61.1m x 4.6	62.0m x 4.4	4.4	4.4	4.4	4.4	3.5	3.0	4.2	4.2	4.2	4.2	4.2	4.2	4.2	4.2	4.2
64.0			4.0	4.0	4.0	4.0	3.5	3.0	63.7m x 3.9	3.8	3.8	3.8	3.8	3.8	3.8	3.8	3.8
66.0			3.6	3.6	3.6	3.6	3.5	3.0		64.8m x 3.7	3.4	3.4	3.4	3.4	3.4	3.4	3.4
68.0			66.8m x 3.5	68.0m x 3.2	3.2	3.2	3.2	3.0			3.0	3.0	3.0	3.0	3.0	3.0	3.0
70.0					2.9	2.9	2.9	2.9			69.2m x 2.8	2.7	2.7	2.7	2.7	2.7	2.7
72.0					2.6	2.6	2.6	2.6				70.6m x 2.6	2.4	2.4	2.4	2.4	2.4
74.0					72.4m x 2.5	74.0m x 2.3	2.3	2.3					2.1	2.1	2.1	2.1	2.1



## ■ Aux. jib rated lifting loads (64ton counterweight)

(Unit: metric ton)

Boom length (m)	60.0								63.0								66.0								
Jib length (m)	13.0		19.0		25.0		31.0		13.0		19.0		25.0		31.0		13.0		19.0		25.0		31.0		
Offset angle	10°	30°	10°	30°	10°	30°	10°	30°	10°	30°	10°	30°	10°	30°	10°	30°	10°	30°	10°	30°	10°	30°	10°	30°	
Working radius (m)	10°	30°	10°	30°	10°	30°	10°	30°	10°	30°	10°	30°	10°	30°	10°	30°	10°	30°	10°	30°	10°	30°	10°	30°	
16.0	16.7m x 13.5								17.2m x 13.5								17.7m x 13.5								
18.0	13.5		18.1m x 12.0						13.5		18.7m x 12.0						13.5		19.2m x 12.0						
20.0	13.5	20.6m x 13.0	12.0		20.8m x 8.0				13.5	21.1m x 13.0	12.0			21.3m x 8.0			13.5	21.6m x 13.0	12.0			21.8m x 8.0			
22.0	13.5	13.0	12.0	23.9m x 8.0	8.0			22.3m x 3.5	13.5	13.0	12.0			8.0		22.8m x 3.5	13.5	13.0	12.0			8.0		23.3m x 3.5	
24.0	13.5	13.0	12.0	8.0	8.0			3.5	13.5	13.0	12.0	24.4m x 8.0	8.0			3.5	13.5	13.0	12.0	25.0m x 8.0	8.0			3.5	
26.0	13.5	13.0	12.0	8.0	8.0			3.5	13.5	13.0	12.0	8.0	8.0			3.5	13.5	13.0	12.0	8.0	8.0			3.5	
28.0	13.5	13.0	12.0	8.0	8.0	28.3m x 6.0	3.5		13.5	13.0	12.0	8.0	8.0	28.8m x 6.0	3.5		13.5	13.0	12.0	8.0	8.0	29.3m x 6.0	3.5		
30.0	13.5	13.0	12.0	8.0	8.0	6.0	3.5	31.7m x 3.0	13.5	13.0	12.0	8.0	8.0	6.0	3.5		13.5	13.0	12.0	8.0	8.0	6.0	3.5		
32.0	13.5	13.0	12.0	8.0	8.0	6.0	3.5	3.0	13.5	13.0	12.0	8.0	8.0	6.0	3.5	32.2m x 3.0	13.5	13.0	12.0	8.0	8.0	6.0	3.5	32.7m x 3.0	
34.0	13.5	13.0	12.0	8.0	8.0	6.0	3.5	3.0	13.4	13.0	12.0	8.0	8.0	6.0	3.5	3.0	13.2	13.0	12.0	8.0	8.0	6.0	3.5	3.0	
36.0	12.4	12.4	12.0	8.0	8.0	6.0	3.5	3.0	12.2	12.2	12.0	8.0	8.0	6.0	3.5	3.0	12.1	12.1	12.0	8.0	8.0	6.0	3.5	3.0	
38.0	11.3	11.3	11.3	8.0	8.0	6.0	3.5	3.0	11.1	11.1	11.1	8.0	8.0	6.0	3.5	3.0	10.9	10.9	10.9	8.0	8.0	6.0	3.5	3.0	
40.0	10.3	10.3	10.3	8.0	8.0	6.0	3.5	3.0	10.1	10.1	10.1	8.0	8.0	6.0	3.5	3.0	9.9	9.9	9.9	8.0	8.0	6.0	3.5	3.0	
42.0	9.5	9.5	9.5	8.0	8.0	6.0	3.5	3.0	9.3	9.3	9.3	8.0	8.0	6.0	3.5	3.0	9.1	9.1	9.1	8.0	8.0	6.0	3.5	3.0	
44.0	8.7	8.7	8.7	8.0	8.0	6.0	3.5	3.0	8.5	8.5	8.5	8.0	8.0	6.0	3.5	3.0	8.3	8.3	8.3	8.0	8.0	6.0	3.5	3.0	
46.0	8.0	8.0	8.0	8.0	8.0	6.0	3.5	3.0	7.8	7.8	7.8	7.8	7.8	6.0	3.5	3.0	7.6	7.6	7.6	7.6	7.6	6.0	3.5	3.0	
48.0	7.4	7.4	7.4	7.4	7.4	6.0	3.5	3.0	7.2	7.2	7.2	7.2	7.2	6.0	3.5	3.0	7.0	7.0	7.0	7.0	7.0	6.0	3.5	3.0	
50.0	6.8	6.8	6.8	6.8	6.8	6.0	3.5	3.0	6.6	6.6	6.6	6.6	6.6	6.0	3.5	3.0	6.4	6.4	6.4	6.4	6.4	6.0	3.5	3.0	
52.0	6.3	6.3	6.3	6.3	6.3	6.0	3.5	3.0	6.1	6.1	6.1	6.1	6.1	6.0	3.5	3.0	5.9	5.9	5.9	5.9	5.9	5.9	5.9	3.5	3.0
54.0	5.8	5.8	5.8	5.8	5.8	5.8	3.5	3.0	5.6	5.6	5.6	5.6	5.6	5.6	3.5	3.0	5.4	5.4	5.4	5.4	5.4	5.4	5.4	3.5	3.0
56.0	5.4	5.4	5.4	5.4	5.4	5.4	3.5	3.0	5.2	5.2	5.2	5.2	5.2	5.2	3.5	3.0	5.0	5.0	5.0	5.0	5.0	5.0	5.0	3.5	3.0
58.0	4.9	4.9	4.9	4.9	4.9	4.9	3.5	3.0	4.7	4.7	4.7	4.7	4.7	4.7	3.5	3.0	4.5	4.5	4.5	4.5	4.5	4.5	4.5	3.5	3.0
60.0	4.4	4.4	4.4	4.4	4.4	4.4	3.5	3.0	4.2	4.2	4.2	4.2	4.2	4.2	3.5	3.0	4.0	4.0	4.0	4.0	4.0	4.0	4.0	3.5	3.0
62.0	4.0	4.0	4.0	4.0	4.0	4.0	3.5	3.0	3.8	3.8	3.8	3.8	3.8	3.8	3.5	3.0	3.6	3.6	3.6	3.6	3.6	3.6	3.6	3.5	3.0
64.0	3.6	3.6	3.6	3.6	3.6	3.6	3.5	3.0	3.4	3.4	3.4	3.4	3.4	3.4	3.4	3.0	3.2	3.2	3.2	3.2	3.2	3.2	3.2	3.2	3.0
66.0	3.2	3.2	3.2	3.2	3.2	3.2	3.2	3.0	3.0	3.0	3.0	3.0	3.0	3.0	3.0	3.0	2.8	2.8	2.8	2.8	2.8	2.8	2.8	2.8	2.8
68.0	66.3m x 3.1	67.2m x 3.0	2.8	2.8	2.8	2.8	2.8	2.8	2.6	2.6	2.6	2.6	2.6	2.6	2.6	2.6	2.3	2.3	2.3	2.3	2.3	2.3	2.3	2.3	2.3
70.0			2.4	2.4	2.4	2.4	2.4	2.4	68.9m x 2.4	69.8m x 2.2	2.2	2.2	2.2	2.2	2.2	2.2	2.0	2.0	2.0	2.0	2.0	2.0	2.0	2.0	2.0
72.0			71.8m x 2.2	2.1	2.1	2.1	2.1	2.1																	
74.0			73.2m x 2.0																						

Boom length (m)	69.0								72.0							
Jib length (m)	13.0		19.0		25.0		31.0		13.0		19.0		25.0		31.0	
Offset angle	10°	30°	10°	30°	10°	30°	10°	30°	10°	30°	10°	30°	10°	30°	10°	30°
Working radius (m)	10°	30°	10°	30°	10°	30°	10°	30°	10°	30°	10°	30°	10°	30°	10°	30°
18.0	18.2m x 13.5		19.7m x 12.0						18.7m x 13.5							
20.0	13.5		12.0						13.5		20.2m x 12.0					
22.0	13.5	22.1m x 13.0	12.0		22.4m x 8.0			23.9m x 3.5	13.5	22.6m x 13.0	12.0			22.9m x 8.0		
24.0	13.5	13.0	12.0	25.9m x 8.0	8.0			3.5	13.5	13.0	12.0			8.0		24.4m x 3.5
26.0	13.5	13.0	12.0	8.0	8.0			3.5	13.5	13.0	12.0	26.0m x 8.0	8.0			3.5
28.0	13.5	13.0	12.0	8.0	8.0	29.8m x 6.0	3.5		13.5	13.0	12.0	8.0	8.0			3.5
30.0	13.5	13.0	12.0	8.0	8.0	6.0	3.5		13.5	13.0	12.0	8.0	8.0	30.3m x 6.0	3.5	
32.0	13.5	13.0	12.0	8.0	8.0	6.0	3.5	33.2m x 3.0	13.5	13.0	12.0	8.0	8.0	6.0	3.5	33.7m x 3.0
34.0	13.0	13.0	12.0	8.0	8.0	6.0	3.5	3.0	12.9	12.9	12.0	8.0	8.0	6.0	3.5	3.0
36.0	11.9	11.9	11.9	8.0	8.0	6.0	3.5	3.0	11.7	11.7	11.7	8.0	8.0	6.0	3.5	3.0
38.0	10.7	10.7	10.7	8.0	8.0	6.0	3.5	3.0	10.6	10.6	10.6	8.0	8.0	6.0	3.5	3.0
40.0	9.7	9.7	9.7	8.0	8.0	6.0	3.5	3.0	9.6	9.6	9.6	8.0	8.0	6.0	3.5	3.0
42.0	8.9	8.9	8.9	8.0	8.0	6.0	3.5	3.0	8.7	8.7	8.7	8.0	8.0	6.0	3.5	3.0
44.0	8.1	8.1	8.1	8.0	8.0	6.0	3.5	3.0	7.9	7.9	7.9	7.9	7.9	6.0	3.5	3.0
46.0	7.4	7.4	7.4	7.4	7.4	6.0	3.5	3.0	7.2	7.2	7.2	7.2	7.2	6.0	3.5	3.0
48.0	6.8	6.8	6.8	6.8	6.8	6.0	3.5	3.0	6.6	6.6	6.6	6.6	6.6	6.0	3.5	3.0
50.0	6.2	6.2	6.2	6.2	6.2	6.0	3.5	3.0	6.0	6.0	6.0	6.0	6.0	6.0	3.5	3.0
52.0	5.7	5.7	5.7	5.7	5.7	5.7	3.5	3.0	5.5	5.5	5.5	5.5	5.5	5.5	3.5	3.0
54.0	5.2	5.2	5.2	5.2	5.2	5.2	3.5	3.0	5.0	5.0	5.0	5.0	5.0	5.0	3.5	3.0
56.0	4.8	4.8	4.8	4.8	4.8	4.8	3.5	3.0	4.6	4.6	4.6	4.6	4.6	4.6	3.5	3.0
58.0	4.3	4.3	4.3	4.3	4.3	4.3	3.5	3.0	4.1	4.1	4.1	4.1	4.1	4.1	3.5	3.0
60.0	3.8	3.8	3.8	3.8	3.8	3.8	3.5	3.0	3.6	3.6	3.6	3.6	3.6	3.6	3.5	3.0
62.0	3.4	3.4	3.4	3.4	3.4	3.4	3.4	3.0	3.2	3.2	3.2	3.2	3.2	3.2	3.2	3.0
64.0	3.0	3.0	3.0	3.0	3.0	3.0	3.0	3.0	2.8	2.8	2.8	2.8	2.8	2.8	2.8	2.8
66.0	2.6	2.6	2.6	2.6	2.6	2.6	2.6	2.6	2.4	2.4	2.4	2.4	2.4	2.4	2.4	2.4
68.0	2.1	2.1	2.1	2.1	2.1	2.1	2.1	2.1								

### Notes

- Above rated loads are based on the machine being operated on firm level ground, within 78% of tipping load at any point of 360° around the machine with forward stability factor of over 1.15.
- Working radius is horizontal distance from center of rotation to a vertical line through the center of gravity of the load.
- When the main hook block is installed, the lifting loads of jib must be reduced by the weight of hook block (main and jib) and other lifting devices.  
 150ton hook block...2.40ton  
 100ton hook block...1.40ton  
 60ton hook block...1.20ton  
 50ton hook block...1.00ton  
 30ton hook block...1.00ton  
 13.5ton hook block...0.60ton
- Always extend the "A" frame during operation.
- Use the auxiliary jibs for crane operations only. Do not use for bucket operations.
- Rated loads for auxiliary jib are based on structural strength.
- Boom lengths for auxiliary jib attachment are 45.0m-72.0m.

# Crane

(Additional counterweight, optional)

**CCH1500**

■ Main boom rated lifting loads (78ton counterweight, 16 ton weight for body)

(Unit:metric ton)

Boom length (m)	18.0	21.0	24.0	27.0	30.0	33.0	36.0	39.0	42.0	45.0	48.0	51.0	54.0	57.0	60.0
Working radius (m)															
5.0	5.0m x 150.0	5.6m x 142.0													
6.0	146.1	142.0	6.1m x 134.0	6.6m x 125.0											
7.0	142.0	137.3	134.0	125.0	7.2m x 118.0	7.7m x 108.0									
8.0	115.0	114.5	114.0	113.5	113.0	108.0	8.2m x 98.0	8.7m x 92.0							
9.0	103.0	102.3	101.5	100.8	100.0	97.0	94.0	92.0	9.2m x 84.0	9.8m x 80.0					
10.0	96.0	95.5	95.0	94.5	94.0	91.4	88.8	86.2	83.6	80.0	10.3m x 77.0	10.8m x 73.0	11.3m x 68.0	11.9m x 62.0	
12.0	74.0	73.9	73.8	73.6	73.5	73.2	72.9	72.6	72.3	72.0	69.5	67.1	64.6	62.0	12.4m x 60.0
14.0	62.0	61.8	61.5	61.3	61.0	60.8	60.6	60.3	60.1	59.9	58.9	57.9	57.0	56.0	55.0
16.0	51.0	50.9	50.8	50.6	50.5	50.4	50.3	50.2	50.1	50.0	49.8	49.6	49.4	49.2	49.0
18.0	17.2m x 46.4	43.3	43.2	43.0	42.9	42.8	42.7	42.7	42.6	42.5	42.4	42.3	42.2	42.1	42.0
20.0		19.8m x 38.4	37.8	37.6	37.5	37.4	37.3	37.1	37.0	36.9	36.8	36.7	36.6	36.5	36.4
22.0			33.4	33.1	32.7	32.6	32.5	32.4	32.3	32.2	32.1	32.0	31.8	31.7	31.6
24.0			22.4m x 32.7	29.5	29.2	29.1	29.0	28.9	28.8	28.7	28.6	28.5	28.3	28.2	28.1
26.0				25.0m x 28.0	26.4	26.3	26.2	26.0	25.9	25.8	25.7	25.5	25.4	25.2	25.1
28.0					27.6m x 24.5	23.9	23.7	23.6	23.4	23.3	23.1	23.0	22.8	22.7	22.5
30.0						21.8	21.7	21.5	21.4	21.2	21.0	20.9	20.7	20.6	20.4
32.0						30.2m x 21.7	19.9	19.7	19.6	19.5	19.3	19.1	19.0	18.8	18.6
34.0							32.8m x 19.2	18.1	18.0	17.9	17.7	17.5	17.4	17.2	17.0
36.0								35.4m x 17.1	16.6	16.5	16.3	16.1	16.0	15.8	15.6
38.0									38.0m x 15.4	15.3	15.1	14.9	14.7	14.5	14.3
40.0										14.3	14.1	13.9	13.6	13.4	13.2
42.0										40.6m x 14.0	13.1	12.9	12.6	12.4	12.2
44.0											43.2m x 12.5	11.9	11.7	11.5	11.3
46.0												45.8m x 11.2	10.9	10.7	10.5
48.0													10.2	10.0	9.8
50.0													48.4m x 10.0	9.3	9.1
52.0														51.0m x 8.9	8.4
54.0															53.6m x 8.0

Boom length (m)	63.0	66.0	69.0	72.0	75.0	78.0	81.0	84.0
Working radius (m)								
12.0	12.9m x 54.0	13.4m x 48.0	13.9m x 44.0					
14.0	51.3	48.0	44.0	14.5m x 39.0	15.0m x 34.5	15.5m x 31.0		
16.0	46.5	44.0	43.2	39.0	34.5	31.0	16.0m x 27.5	16.5m x 24.0
18.0	41.1	40.1	40.0	37.2	34.3	31.0	27.5	24.0
20.0	36.2	35.9	35.7	33.6	31.5	29.4	27.5	24.0
22.0	31.5	31.4	31.3	30.0	28.7	27.4	26.1	24.0
24.0	28.0	27.8	27.7	27.0	26.4	25.7	25.0	22.0
26.0	25.0	24.8	24.5	24.3	24.0	23.8	23.5	20.6
28.0	22.4	22.2	22.0	21.9	21.8	21.6	21.5	19.3
30.0	20.3	20.1	19.9	19.8	19.7	19.6	19.5	18.0
32.0	18.4	18.2	18.0	17.9	17.8	17.7	17.6	17.1
34.0	16.8	16.6	16.4	16.3	16.2	16.1	16.0	15.8
36.0	15.4	15.2	15.0	14.9	14.8	14.6	14.5	14.3
38.0	14.1	13.9	13.7	13.6	13.5	13.4	13.3	13.0
40.0	13.0	12.8	12.6	12.5	12.4	12.3	12.2	11.9
42.0	12.0	11.8	11.6	11.5	11.4	11.3	11.2	10.8
44.0	11.1	10.9	10.7	10.6	10.5	10.4	10.3	9.8
46.0	10.3	10.1	9.9	9.8	9.7	9.5	9.4	8.9
48.0	9.6	9.4	9.1	8.9	8.8	8.6	8.4	8.0
50.0	8.9	8.7	8.5	8.4	8.2	8.1	7.9	7.4
52.0	8.3	8.1	7.8	7.7	7.5	7.4	7.2	6.8
54.0	7.7	7.5	7.3	7.2	7.0	6.9	6.7	6.2
56.0	7.2	7.0	6.8	6.6	6.5	6.3	6.1	5.7
58.0	56.2m x 7.1	6.5	6.3	6.1	6.0	5.8	5.6	5.2
60.0		58.8m x 6.3	5.8	5.6	5.5	5.3	5.1	4.7
62.0			61.4m x 5.5	5.2	5.0	4.8	4.6	4.3
64.0				64.0m x 4.8	4.6	4.4	4.2	3.8
66.0					4.2	4.0	3.8	3.4

Notes

- Above rated loads are based on the machine being operated on firm level ground, within 78% of tipping load at any point of 360° around the machine with forward stability factor of over 1.15.
- Working radius is horizontal distance from center of rotation to a vertical line through the center of gravity of the load.
- The weight of the slings, hook block(s) and auxiliary lifting devices must be considered to be a part of the load.  
Hook block weight:  
150ton hook block...2.40ton 100ton hook block...1.40ton  
60ton hook block...1.20ton 50ton hook block...1.00ton  
30ton hook block...1.00ton 13.5ton hook block...0.60ton
- Jib boom can be fitted to main boom in the following combinations.

Jib length(m)	Auxiliary	13.0	19.0	25.0	31.0
Boom length(m)	18.0~81.0	45.0~72.0	45.0~72.0	45.0~72.0	45.0~72.0

- When jib boom is fitted actual loads that can be lifted with main hook block should be reduced according to the below table (the weights include auxiliary hook block).

Jib length(m)	Auxiliary	13.0	19.0	25.0	31.0
Weight to be deducted(ton)	0.80	3.5	4.0	4.9	6.0

- High "A" Frame should be extended before working.  
Extend the "A" frame to the highest position when there is no mast.  
Extend the "A" frame to the mid-position when there is a mast.
- Depending on the number of part lines, rated lifting load is limited as follows:  
1Part line...up to 13.5ton 2Part line...up to 25.0ton  
3Part line...up to 37.5ton 4Part line...up to 50.0ton  
5Part line...up to 62.5ton 6Part line...up to 75.0ton  
7Part line...up to 87.5ton 8Part line...up to 100.0ton  
9Part line...up to 112.5ton 10Part line...up to 125.0ton  
11Part line...up to 137.5ton 12Part line...up to 150.0ton
- Always use a mast for boom length of 69m or over. Carefully follow the instruction manual concerning installation of pendant rope.
- Rated loads shown in bold lines are based on structural strength factors.

# Crane

(Additional counterweight, optional)

CC11500

## 1m aux. jib rated lifting loads (78ton counterweight, 16 ton weight for body)

(Unit:metric ton)

Boom length (m) \ Working radius (m)	18.0	21.0	24.0	27.0	30.0	33.0	36.0	39.0	42.0	45.0	48.0	51.0	54.0	57.0	60.0
5.0	5.9m x 13.5														
6.0	13.5	6.4m x 13.5													
7.0	13.5	13.5	7.0m x 13.5	7.5m x 13.5											
8.0	13.5	13.5	13.5	13.5	8.0m x 13.5	8.5m x 13.5									
9.0	13.5	13.5	13.5	13.5	13.5	13.5	9.0m x 13.5	9.6m x 13.5							
10.0	13.5	13.5	13.5	13.5	13.5	13.5	13.5	13.5	10.1m x 13.5	10.5m x 13.5	11.1m x 13.5	11.6m x 13.5			
12.0	13.5	13.5	13.5	13.5	13.5	13.5	13.5	13.5	13.5	13.5	13.5	13.5	12.2m x 13.5	12.7m x 13.5	13.2m x 13.5
14.0	13.5	13.5	13.5	13.5	13.5	13.5	13.5	13.5	13.5	13.5	13.5	13.5	13.5	13.5	13.5
16.0	13.5	13.5	13.5	13.5	13.5	13.5	13.5	13.5	13.5	13.5	13.5	13.5	13.5	13.5	13.5
18.0	13.5	13.5	13.5	13.5	13.5	13.5	13.5	13.5	13.5	13.5	13.5	13.5	13.5	13.5	13.5
20.0	18.8m x 13.5	13.5	13.5	13.5	13.5	13.5	13.5	13.5	13.5	13.5	13.5	13.5	13.5	13.5	13.5
22.0		21.4m x 13.5	13.5	13.5	13.5	13.5	13.5	13.5	13.5	13.5	13.5	13.5	13.5	13.5	13.5
24.0			24.0m x 13.5	13.5	13.5	13.5	13.5	13.5	13.5	13.5	13.5	13.5	13.5	13.5	13.5
26.0				13.5	13.5	13.5	13.5	13.5	13.5	13.5	13.5	13.5	13.5	13.5	13.5
28.0				26.6m x 13.5	13.5	13.5	13.5	13.5	13.5	13.5	13.5	13.5	13.5	13.5	13.5
30.0					29.2m x 13.5	13.5	13.5	13.5	13.5	13.5	13.5	13.5	13.5	13.5	13.5
32.0						31.7m x 13.5	13.5	13.5	13.5	13.5	13.5	13.5	13.5	13.5	13.5
34.0							13.5	13.5	13.5	13.5	13.5	13.5	13.5	13.5	13.5
36.0							34.3m x 13.5	13.5	13.5	13.5	13.5	13.5	13.5	13.5	13.5
38.0								36.9m x 13.5	13.5	13.5	13.5	13.5	13.5	13.5	13.5
40.0									39.5m x 13.5	13.5	13.3	13.1	12.8	12.6	12.4
42.0										12.5	12.3	12.1	11.8	11.6	11.4
44.0										42.1m x 12.5	11.3	11.1	10.9	10.7	10.5
46.0											44.7m x 11.0	10.3	10.1	9.9	9.7
48.0												47.3m x 9.8	9.4	9.2	9.0
50.0													49.9m x 8.7	8.5	8.3
52.0														7.8	7.6
54.0														52.5m x 7.7	7.0
56.0															55.1m x 6.8

Boom length (m) \ Working radius (m)	63.0	66.0	69.0	72.0	75.0	78.0	81.0
12.0	13.7m x 13.5						
14.0	13.5	14.2m x 13.5	14.8m x 13.5	15.3m x 13.5	15.8m x 13.5		
16.0	13.5	13.5	13.5	13.5	13.5	16.3m x 13.5	16.9m x 13.5
18.0	13.5	13.5	13.5	13.5	13.5	13.5	13.5
20.0	13.5	13.5	13.5	13.5	13.5	13.5	13.5
22.0	13.5	13.5	13.5	13.5	13.5	13.5	13.5
24.0	13.5	13.5	13.5	13.5	13.5	13.5	13.5
26.0	13.5	13.5	13.5	13.5	13.5	13.5	13.5
28.0	13.5	13.5	13.5	13.5	13.5	13.5	13.5
30.0	13.5	13.5	13.5	13.5	13.5	13.5	13.5
32.0	13.5	13.5	13.5	13.5	13.5	13.5	13.5
34.0	13.5	13.5	13.5	13.5	13.5	13.5	13.5
36.0	13.5	13.5	13.5	13.5	13.5	13.5	13.5
38.0	13.3	13.1	12.9	12.8	12.7	12.6	12.5
40.0	12.2	12.0	11.8	11.7	11.6	11.5	11.4
42.0	11.2	11.0	10.8	10.7	10.6	10.5	10.4
44.0	10.3	10.1	9.9	9.8	9.7	9.6	9.5
46.0	9.5	9.3	9.1	9.0	8.9	8.7	8.6
48.0	8.8	8.6	8.3	8.1	8.0	7.8	7.6
50.0	8.1	7.9	7.7	7.6	7.4	7.3	7.1
52.0	7.5	7.3	7.0	6.9	6.7	6.6	6.4
54.0	6.9	6.7	6.5	6.4	6.2	6.1	5.9
56.0	6.4	6.2	6.0	5.8	5.7	5.5	5.3
58.0	57.7m x 3.9	5.7	5.5	5.3	5.2	5.0	4.8
60.0		5.1	5.0	4.8	4.7	4.5	4.3
62.0		60.3m x 3.0	4.6	4.4	4.2	4.0	3.8
64.0			62.9m x 4.4	4.0	3.8	3.6	3.4
66.0				65.5m x 3.6	3.4	3.2	3.0

### Notes

- Above rated loads are based on the machine being operated on firm level ground, within 78% of tipping load at any point of 360° around the machine with forward stability factor of over 1.15.
- Working radius is horizontal distance from center of rotation to a vertical line through the center of gravity of the load.
- When the main hook block is installed, the lifting loads of jib must be reduced by the weight of hook block (main and jib) and other lifting devices.  
 150ton hook block...2.40ton      100ton hook block...1.40ton  
 60ton hook block...1.20ton      50ton hook block...1.00ton  
 30ton hook block...1.00ton      13.5ton hook block...0.60ton
- Boom lengths for auxiliary jib attachment are 18.0m-81.0m.
- Always extend the "A" frame during operation.
- Use the 1m auxiliary jib for crane operations only. Do not use for bucket operations.
- Rated loads for the 1m auxiliary jib are based on structural strength.

# Crane

(Additional counterweight, optional)

**CCH1500**

■ **Aux. jib rated lifting loads (78ton counterweight, 16 ton weight for body)**

(Unit:metric ton)

Boom length (m)	45.0								48.0								51.0							
Jib length (m)	13.0		19.0		25.0		31.0		13.0		19.0		25.0		31.0		13.0		19.0		25.0		31.0	
Offset angle	10°	30°	10°	30°	10°	30°	10°	30°	10°	30°	10°	30°	10°	30°	10°	30°	10°	30°	10°	30°	10°	30°	10°	30°
Working radius (m)	10°	30°	10°	30°	10°	30°	10°	30°	10°	30°	10°	30°	10°	30°	10°	30°	10°	30°	10°	30°	10°	30°	10°	30°
14.0	14.1m x 13.5		15.5m x 12.0						14.6m x 13.5								15.1m x 13.5							
16.0	13.5		12.0						13.5		16m x 12.0						13.5		16.6m x 12.0					
18.0	13.5	18m x 13.0	12.0		18.2m x 8.0		19.7m x 3.5		13.5	18.5m x 13.0	12.0		18.7m x 8.0				13.5	19m x 13.0	12.0		19.2m x 8.0			
20.0	13.5	13.0	12.0	21.3m x 8.0	8.0		3.5		13.5	13.0	12.0	21.8m x 8.0	8.0		20.2m x 3.5		13.5	13.0	12.0		8.0		20.7m x 3.5	
22.0	13.5	13.0	12.0	8.0	8.0		3.5		13.5	13.0	12.0	8.0	8.0		3.5		13.5	13.0	12.0		22.4m x 8.0	8.0		3.5
24.0	13.5	13.0	12.0	8.0	8.0	25.7m x 6.0	3.5		13.5	13.0	12.0	8.0	8.0		3.5		13.5	13.0	12.0	8.0	8.0			3.5
26.0	13.5	13.0	12.0	8.0	8.0	6.0	3.5		13.5	13.0	12.0	8.0	8.0	26.2m x 6.0	3.5		13.5	13.0	12.0	8.0	8.0	26.7m x 6.0		3.5
28.0	13.5	13.0	12.0	8.0	8.0	6.0	3.5	29m x 3.0	13.5	13.0	12.0	8.0	8.0	6.0	3.5	29.6m x 3.0	13.5	13.0	12.0	8.0	8.0	6.0	3.5	
30.0	13.5	13.0	12.0	8.0	8.0	6.0	3.5	3.0	13.5	13.0	12.0	8.0	8.0	6.0	3.5	3.0	13.5	13.0	12.0	8.0	8.0	6.0	3.5	30.1m x 3.0
32.0	13.5	13.0	12.0	8.0	8.0	6.0	3.5	3.0	13.5	13.0	12.0	8.0	8.0	6.0	3.5	3.0	13.5	13.0	12.0	8.0	8.0	6.0	3.5	3.0
34.0	13.5	13.0	12.0	8.0	8.0	6.0	3.5	3.0	13.5	13.0	12.0	8.0	8.0	6.0	3.5	3.0	13.5	13.0	12.0	8.0	8.0	6.0	3.5	3.0
36.0	13.5	13.0	12.0	8.0	8.0	6.0	3.5	3.0	13.5	13.0	12.0	8.0	8.0	6.0	3.5	3.0	13.5	13.0	12.0	8.0	8.0	6.0	3.5	3.0
38.0	13.5	13.0	12.0	8.0	8.0	6.0	3.5	3.0	13.5	13.0	12.0	8.0	8.0	6.0	3.5	3.0	13.5	13.0	12.0	8.0	8.0	6.0	3.5	3.0
40.0	13.5	13.0	12.0	8.0	8.0	6.0	3.5	3.0	13.5	13.0	12.0	8.0	8.0	6.0	3.5	3.0	13.5	13.0	12.0	8.0	8.0	6.0	3.5	3.0
42.0	13.3	13.0	12.0	8.0	8.0	6.0	3.5	3.0	13.1	13.0	12.0	8.0	8.0	6.0	3.5	3.0	12.9	12.9	12.0	8.0	8.0	6.0	3.5	3.0
44.0	12.3	12.3	12.0	8.0	8.0	6.0	3.5	3.0	12.1	12.1	12.0	8.0	8.0	6.0	3.5	3.0	11.9	11.9	11.9	8.0	8.0	6.0	3.5	3.0
46.0	11.5	11.5	11.5	8.0	8.0	6.0	3.5	3.0	11.3	11.3	11.3	8.0	8.0	6.0	3.5	3.0	11.1	11.1	11.1	8.0	8.0	6.0	3.5	3.0
48.0	10.7	10.7	10.7	8.0	8.0	6.0	3.5	3.0	10.5	10.5	10.5	8.0	8.0	6.0	3.5	3.0	10.3	10.3	10.3	8.0	8.0	6.0	3.5	3.0
50.0	10.0	10.0	10.0	8.0	8.0	6.0	3.5	3.0	9.8	9.8	9.8	8.0	8.0	6.0	3.5	3.0	9.6	9.6	9.6	8.0	8.0	6.0	3.5	3.0
52.0	9.3	9.3	9.3	8.0	8.0	6.0	3.5	3.0	9.1	9.1	9.1	8.0	8.0	6.0	3.5	3.0	9.0	9.0	9.0	8.0	8.0	6.0	3.5	3.0
54.0	53.3m x 8.9	8.7	8.7	8.0	8.0	6.0	3.5	3.0	8.5	8.5	8.5	8.0	8.0	6.0	3.5	3.0	8.4	8.4	8.4	8.0	8.0	6.0	3.5	3.0
56.0		54.2m x 8.7	8.2	8.0	8.0	6.0	3.5	3.0	55.9m x 8.1	8.0	8.0	8.0	8.0	6.0	3.5	3.0	7.9	7.9	7.9	7.9	7.9	6.0	3.5	3.0
58.0			7.7	7.7	7.7	6.0	3.5	3.0	56.8m x 7.8	7.5	7.5	7.5	6.0	3.5	3.0	7.4	7.4	7.4	7.4	7.4	6.0	3.5	3.0	
60.0			58.8m x 7.5	7.2	7.2	6.0	60m x 3.5	60m x 3.0		7.0	7.0	7.0	6.0	3.5	3.0	58.5m x 7.2	59.4m x 7.0	6.8	6.8	6.8	6.0	3.5	3.0	
62.0			60.2m x 7.2	6.7	6.0					61.4m x 6.7	6.5	6.5	6.0	6.0	6.0	6.0	6.3	6.3	6.3	6.0	6.0	6.0	3.5	3.0
64.0				64m x 6.3	64m x 6.0						62.8m x 6.3	64m x 6.1	64m x 6.0					64m x 5.9	5.9	5.9	5.9	5.9	64m x 3.5	64m x 3.0
66.0																		65.4m x 5.6	66m x 5.5	66m x 5.5				

Boom length (m)	54.0								57.0							
Jib length (m)	13.0		19.0		25.0		31.0		13.0		19.0		25.0		31.0	
Offset angle	10°	30°	10°	30°	10°	30°	10°	30°	10°	30°	10°	30°	10°	30°	10°	30°
Working radius (m)	10°	30°	10°	30°	10°	30°	10°	30°	10°	30°	10°	30°	10°	30°	10°	30°
14.0	15.6m x 13.5															
16.0	13.5		17.1m x 12.0						16.1m x 13.5		17.6m x 12.0					
18.0	13.5	19.5m x 13.0	12.0		19.8m x 8.0				13.5		12.0					
20.0	13.5	13.0	12.0		8.0		21.3m x 3.5		13.5	20m x 13.0	12.0		20.3m x 8.0		21.8m x 3.5	
22.0	13.5	13.0	12.0	22.9m x 8.0	8.0		3.5		13.5	13.0	12.0	23.4m x 8.0	8.0		3.5	
24.0	13.5	13.0	12.0	8.0	8.0		3.5		13.5	13.0	12.0	8.0	8.0		3.5	
26.0	13.5	13.0	12.0	8.0	8.0	27.2m x 6.0	3.5		13.5	13.0	12.0	8.0	8.0	27.7m x 6.0	3.5	
28.0	13.5	13.0	12.0	8.0	8.0	6.0	3.5		13.5	13.0	12.0	8.0	8.0	6.0	3.5	
30.0	13.5	13.0	12.0	8.0	8.0	6.0	3.5	30.6m x 3.0	13.5	13.0	12.0	8.0	8.0	6.0	3.5	31.1m x 3.0
32.0	13.5	13.0	12.0	8.0	8.0	6.0	3.5	3.0	13.5	13.0	12.0	8.0	8.0	6.0	3.5	3.0
34.0	13.5	13.0	12.0	8.0	8.0	6.0	3.5	3.0	13.5	13.0	12.0	8.0	8.0	6.0	3.5	3.0
36.0	13.5	13.0	12.0	8.0	8.0	6.0	3.5	3.0	13.5	13.0	12.0	8.0	8.0	6.0	3.5	3.0
38.0	13.5	13.0	12.0	8.0	8.0	6.0	3.5	3.0	13.5	13.0	12.0	8.0	8.0	6.0	3.5	3.0
40.0	13.5	13.0	12.0	8.0	8.0	6.0	3.5	3.0	13.4	13.0	12.0	8.0	8.0	6.0	3.5	3.0
42.0	12.6	12.6	12.0	8.0	8.0	6.0	3.5	3.0	12.4	12.4	12.0	8.0	8.0	6.0	3.5	3.0
44.0	11.7	11.7	11.7	8.0	8.0	6.0	3.5	3.0	11.5	11.5	11.5	8.0	8.0	6.0	3.5	3.0
46.0	10.9	10.9	10.9	8.0	8.0	6.0	3.5	3.0	10.7	10.7	10.7	8.0	8.0	6.0	3.5	3.0
48.0	10.2	10.2	10.2	8.0	8.0	6.0	3.5	3.0	10.0	10.0	10.0	8.0	8.0	6.0	3.5	3.0
50.0	9.5	9.5	9.5	8.0	8.0	6.0	3.5	3.0	9.3	9.3	9.3	8.0	8.0	6.0	3.5	3.0
52.0	8.8	8.8	8.8	8.0	8.0	6.0	3.5	3.0	8.6	8.6	8.6	8.0	8.0	6.0	3.5	3.0
54.0	8.2	8.2	8.2	8.0	8.0	6.0	3.5	3.0	8.0	8.0	8.0	8.0	8.0	6.0	3.5	3.0
56.0	7.7	7.7	7.7	7.7	7.7	6.0	3.5	3.0	7.5	7.5	7.5	7.5	7.5	6.0	3.5	3.0
58.0	7.2	7.2	7.2	7.2	7.2	6.0	3.5	3.0	7.0	7.0	7.0	7.0	7.0	6.0	3.5	3.0
60.0	6.6	6.6	6.6	6.6	6.6	6.0	3.5	3.0	6.5	6.5	6.5	6.5	6.5	6.0	3.5	3.0
62.0	61.1m x 6.4	6.1	6.1	6.1	6.0	3.5	3.0	6.0	6.0	6.0	6.0	6.0	6.0	6.0	3.5	3.0
64.0		5.7	5.7	5.7	5.7	3.5	3.0	63.7m x 5.6	5.5	5.5	5.5	5.5	5.5	5.5	3.5	3.0
66.0			5.3	5.3	5.3	5.3	66m x 3.5	66m x 3.0	64.6m x 5.4	5.0	5.0	5.0	5.0	5.0	66m x 3.5	66m x 3.0
68.0			66.6m x 5.1	68m x 4.9	68m x 4.9	68m x 4.9				4.6	4.6	4.6	4.6			
70.0										69.2m x 4.4	4.3	70m x 4.3	70m x 4.3			
72.0											70.6m x 4.2					

# Crane

(Additional counterweight, optional)

CC11500

## ■ Aux. jib rated lifting loads (78ton counterweight, 16 ton weight for body)

(Unit: metric ton)

Boom length (m)	60.0								63.0								66.0												
Jib length (m)	13.0		19.0		25.0		31.0		13.0		19.0		25.0		31.0		13.0		19.0		25.0		31.0						
Offset angle	10°	30°	10°	30°	10°	30°	10°	30°	10°	30°	10°	30°	10°	30°	10°	30°	10°	30°	10°	30°	10°	30°	10°	30°					
Working radius (m)	10°	30°	10°	30°	10°	30°	10°	30°	10°	30°	10°	30°	10°	30°	10°	30°	10°	30°	10°	30°	10°	30°	10°	30°					
16.0	16.7m x 13.5									17.2m x 13.5																			
18.0	13.5		18.1m x 12.0							13.5		18.7m x 12.0																	
20.0	13.5	20.6m x 13.0	12.0		20.8m x 8.0					13.5	21.1m x 13.0	12.0		21.3m x 8.0								21.8m x 8.0							
22.0	13.5	13.0	12.0	23.9m x 8.0	8.0					13.5	13.0	12.0		8.0								8.0			23.3m x 3.5				
24.0	13.5	13.0	12.0	8.0	8.0					13.5	13.0	12.0	24.4m x 8.0	8.0								25m x 8.0	8.0		3.5				
26.0	13.5	13.0	12.0	8.0	8.0					13.5	13.0	12.0	8.0	8.0								8.0	8.0		3.5				
28.0	13.5	13.0	12.0	8.0	8.0					13.5	13.0	12.0	8.0	8.0	28.8m x 6.0	3.5						13.5	13.0	12.0	8.0	8.0	29.3m x 6.0	3.5	
30.0	13.5	13.0	12.0	8.0	8.0	6.0	3.5	31.7m x 3.0		13.5	13.0	12.0	8.0	8.0	6.0	3.5						13.5	13.0	12.0	8.0	8.0	6.0	3.5	
32.0	13.5	13.0	12.0	8.0	8.0	6.0	3.5	3.0		13.5	13.0	12.0	8.0	8.0	6.0	3.5	32.2m x 3.0					13.5	13.0	12.0	8.0	8.0	6.0	3.5	32.7m x 3.0
34.0	13.5	13.0	12.0	8.0	8.0	6.0	3.5	3.0		13.5	13.0	12.0	8.0	8.0	6.0	3.5	3.0					13.5	13.0	12.0	8.0	8.0	6.0	3.5	3.0
36.0	13.5	13.0	12.0	8.0	8.0	6.0	3.5	3.0		13.5	13.0	12.0	8.0	8.0	6.0	3.5	3.0					13.5	13.0	12.0	8.0	8.0	6.0	3.5	3.0
38.0	13.5	13.0	12.0	8.0	8.0	6.0	3.5	3.0		13.5	13.0	12.0	8.0	8.0	6.0	3.5	3.0					13.5	13.0	12.0	8.0	8.0	6.0	3.5	3.0
40.0	13.2	13.0	12.0	8.0	8.0	6.0	3.5	3.0		13.0	13.0	12.0	8.0	8.0	6.0	3.5	3.0					12.8	12.8	12.0	8.0	8.0	6.0	3.5	3.0
42.0	12.2	12.2	12.0	8.0	8.0	6.0	3.5	3.0		12.0	12.0	12.0	8.0	8.0	6.0	3.5	3.0					11.8	11.8	11.8	8.0	8.0	6.0	3.5	3.0
44.0	11.3	11.3	11.3	8.0	8.0	6.0	3.5	3.0		11.1	11.1	11.1	8.0	8.0	6.0	3.5	3.0					10.9	10.9	10.9	8.0	8.0	6.0	3.5	3.0
46.0	10.5	10.5	10.5	8.0	8.0	6.0	3.5	3.0		10.3	10.3	10.3	8.0	8.0	6.0	3.5	3.0					10.1	10.1	10.1	8.0	8.0	6.0	3.5	3.0
48.0	9.8	9.8	9.8	8.0	8.0	6.0	3.5	3.0		9.6	9.6	9.6	8.0	8.0	6.0	3.5	3.0					9.4	9.4	9.4	8.0	8.0	6.0	3.5	3.0
50.0	9.1	9.1	9.1	8.0	8.0	6.0	3.5	3.0		8.9	8.9	8.9	8.0	8.0	6.0	3.5	3.0					8.7	8.7	8.7	8.0	8.0	6.0	3.5	3.0
52.0	8.4	8.4	8.4	8.0	8.0	6.0	3.5	3.0		8.3	8.3	8.3	8.0	8.0	6.0	3.5	3.0					8.1	8.1	8.1	8.0	8.0	6.0	3.5	3.0
54.0	7.8	7.8	7.8	7.8	7.8	6.0	3.5	3.0		7.7	7.7	7.7	7.7	7.7	6.0	3.5	3.0					7.5	7.5	7.5	7.5	7.5	6.0	3.5	3.0
56.0	7.3	7.3	7.3	7.3	7.3	6.0	3.5	3.0		7.2	7.2	7.2	7.2	7.2	6.0	3.5	3.0					7.0	7.0	7.0	7.0	7.0	6.0	3.5	3.0
58.0	6.8	6.8	6.8	6.8	6.8	6.0	3.5	3.0		6.7	6.7	6.7	6.7	6.7	6.0	3.5	3.0					6.5	6.5	6.5	6.5	6.5	6.0	3.5	3.0
60.0	6.3	6.3	6.3	6.3	6.3	6.0	3.5	3.0		6.1	6.1	6.1	6.1	6.1	6.0	3.5	3.0					5.9	5.9	5.9	5.9	5.9	5.9	3.5	3.0
62.0	5.8	5.8	5.8	5.8	5.8	5.8	3.5	3.0		5.6	5.6	5.6	5.6	5.6	5.6	3.5	3.0					5.4	5.4	5.4	5.4	5.4	5.4	3.5	3.0
64.0	5.3	5.3	5.3	5.3	5.3	5.3	3.5	3.0		5.1	5.1	5.1	5.1	5.1	5.1	3.5	3.0					4.9	4.9	4.9	4.9	4.9	4.9	3.5	3.0
66.0	4.8	4.8	4.8	4.8	4.8	4.8	3.5	3.0		4.6	4.6	4.6	4.6	4.6	4.6	3.5	3.0					4.4	4.4	4.4	4.4	4.4	4.4	3.5	3.0
68.0	4.8	4.8	4.4	4.4	4.4	4.4	3.5	3.0		4.2	4.2	4.2	4.2	4.2	4.2	3.5	3.0					4.0	4.0	4.0	4.0	4.0	4.0	3.5	3.0
70.0	66.3m x 4.8	67.2m x 4.6	4.1	4.1	4.1	4.1	3.5	3.0		68.9m x 4.0	69.8m x 3.9	3.8	3.8	3.8	3.8	3.5	3.0					3.6	3.6	3.6	3.6	3.6	3.6	3.5	3.0
72.0			71.8m x 3.8	3.7	3.7	3.7	3.5	3.0				3.5	3.5	3.5	3.5	3.5	3.0					71.5m x 3.4	3.3	3.3	3.3	3.3	3.3	3.3	3.0
74.0			73.2m x 3.5	3.3	3.3	3.3	3.3	3.0				3.1	3.1	3.1	3.1	3.1	3.0					72.4m x 3.2	2.9	2.9	2.9	2.9	2.9	2.9	2.9

Boom length (m)	69.0								72.0									
Jib length (m)	13.0		19.0		25.0		31.0		13.0		19.0		25.0		31.0			
Offset angle	10°	30°	10°	30°	10°	30°	10°	30°	10°	30°	10°	30°	10°	30°	10°	30°		
Working radius (m)	10°	30°	10°	30°	10°	30°	10°	30°	10°	30°	10°	30°	10°	30°	10°	30°		
18.0	18.2m x 13.5		19.7m x 12.0								18.7m x 13.5							
20.0	13.5		12.0								13.5		20.2m x 12.0					
22.0	13.5	22.1m x 13.0	12.0		22.4m x 8.0						13.5	22.6m x 13.0	12.0		22.9m x 8.0			
24.0	13.5	13.0	12.0	25.5m x 8.0	8.0						13.5	13.0	12.0		8.0	24.4m x 3.5		
26.0	13.5	13.0	12.0	8.0	8.0						13.5	13.0	12.0	26m x 8.0	8.0	3.5		
28.0	13.5	13.0	12.0	8.0	8.0						13.5	13.0	12.0	8.0	8.0	3.5		
30.0	13.5	13.0	12.0	8.0	8.0	6.0	3.5				13.5	13.0	12.0	8.0	8.0	30.3m x 6.0	3.5	
32.0	13.5	13.0	12.0	8.0	8.0	6.0	3.5	33.2m x 3.0			13.5	13.0	12.0	8.0	8.0	6.0	3.5	33.7m x 3.0
34.0	13.5	13.0	12.0	8.0	8.0	6.0	3.5	3.0			13.5	13.0	12.0	8.0	8.0	6.0	3.5	3.0
36.0	13.5	13.0	12.0	8.0	8.0	6.0	3.5	3.0			13.5	13.0	12.0	8.0	8.0	6.0	3.5	3.0
38.0	13.5	13.0	12.0	8.0	8.0	6.0	3.5	3.0			13.5	13.0	12.0	8.0	8.0	6.0	3.5	3.0
40.0	12.6	12.6	12.0	8.0	8.0	6.0	3.5	3.0			12.5	12.5	12.0	8.0	8.0	6.0	3.5	3.0
42.0	11.6	11.6	11.6	8.0	8.0	6.0	3.5	3.0			11.5	11.5	11.5	8.0	8.0	6.0	3.5	3.0
44.0	10.7	10.7	10.7	8.0	8.0	6.0	3.5	3.0			10.6	10.6	10.6	8.0	8.0	6.0	3.5	3.0
46.0	9.9	9.9	9.9	8.0	8.0	6.0	3.5	3.0			9.8	9.8	9.8	8.0	8.0	6.0	3.5	3.0
48.0	9.1	9.1	9.1	8.0	8.0	6.0	3.5	3.0			8.9	8.9	8.9	8.0	8.0	6.0	3.5	3.0
50.0	8.5	8.5	8.5	8.0	8.0	6.0	3.5	3.0			8.4	8.4	8.4	8.0	8.0	6.0	3.5	3.0
52.0	7.8	7.8	7.8	7.8	7.8	6.0	3.5	3.0			7.7	7.7	7.7	7.7	7.7	6.0	3.5	3.0
54.0	7.3	7.3	7.3	7.3	7.3	6.0	3.5	3.0			7.2	7.2	7.2	7.2	7.2	6.0	3.5	3.0
56.0	6.8	6.8	6.8	6.8	6.8	6.0	3.5	3.0			6.6	6.6	6.6	6.6	6.6	6.0	3.5	3.0
58.0	6.3	6.3	6.3	6.3	6.3	6.0	3.5	3.0			6.1	6.1	6.1	6.1	6.1	6.0	3.5	3.0
60.0	5.8	5.8	5.8	5.8	5.8	5.8	3.5	3.0			5.6	5.6	5.6	5.6	5.6	5.6	3.5	3.0
62.0	5.4	5.4	5.4	5.4	5.4	5.4	3.5	3.0			5.2	5.2	5.2	5.2	5.2	5.2	3.5	3.0
64.0	5.0	5.0	5.0	5.0	5.0	5.0	3.5	3.0			4.8	4.8	4.8	4.8	4.8	4.8	3.5	3.0
66.0	4.5	4.5	4.5	4.5	4.5	4.5	3.5	3.0			4.3	4.3	4.3	4.3	4.3	4.3	3.5	3.0
68.0	4.0	4.0	4.0	4.0	4.0	4.0	3.5	3.0			3.8	3.8	3.8	3.8	3.8	3.8	3.5	3.0
70.0	3.6	3.6	3.6	3.6	3.6	3.6	3.5	3.0			3.4	3.4	3.4	3.4	3.4	3.4	3.4	3.0
72.0	3.3	3.3	3.3	3.3	3.3	3.3	3.3	3.0			3.1	3.1	3.1	3.1	3.1	3.1	3.1	3.0
74.0	2.9	2.9	2.9	2.9	2.9	2.9	2.9	2.9			2.7	2.7	2.7	2.7	2.7	2.7	2.7	2.7

### Notes

- Above rated loads are

# Luffing Jib Crane

CCH1500

## Specifications

Max. Lifting capacity x working radius		at Post	50.0metric tons x 12.0m
		at Jib	25.0metric tons x 13.6m
Max. lift above ground level			
102.0m(57m post+51m jib)			
Rope speed	Main drum hoist/lowering	* 110~55/55~28m/min	
	Aux. drum hoist/lowering	* 110~55/55~28m/min	
	Post hoist/lowering	* 32~14m/min x 2	
	Jib hoist/lowering	* 66~30m/min	
Part line	at Post	Hook block capacity x Part line	50ton x 4
		Hook block capacity x Part line	25ton x 2
	at Jib	Hook block capacity x Part line	25ton x 2
		Hook block capacity x Part line	13.5ton x 1
Post hoist		18	
Jib hoist		8	
Counterweight		64ton	
Total operating weight (with 57m post+50ton hook+51m jib+25ton hook+jib drum)		183ton	
Average ground bearing pressure		102kPa(1.04kg/cm <sup>2</sup> )	

Note: The rope speed changes depending on the load.

## Combination of Post and Jib

Jib length (m)	27	30	33	36	39	42	45	48	51
Post length (m)									
36	●	●	●	●	●	●	●	●	●
39	●	●	●	●	●	●	●	●	●
42	●	●	●	●	●	●	●	●	●
45	●	●	●	●	●	●	●	●	●
48	●	●	●	●	●	●	●	●	●
51	●	●	●	●	●	●	●	●	●
54	●	●	●	●	●	●	●	●	●
57	●	●	●	●	●	●	●	●	●

Note: ●: Possible combinations

## Wire Rope

Place of use	Rope diameter (mm)	Guaranteed strength (t)	Rope type
Main drum	φ 28	70.2	P·S(19)+39 x P.7
Aux. drum	φ 28	70.2	P·S(19)+39 x P.7
Jib hoist	φ 26	49.9	IWRC6 x WS(31)
Post hoist	φ 22	36.3	IWRC6 x WS(31)
Jib suspension	φ 34	104.0	IWRC6 x P·WS(36)
Strut suspension	φ 34	104.0	IWRC6 x P·WS(36)
Post suspension	φ 34	104.0	IWRC6 x P·WS(36)

## Luffing jib crane Post/jib composition

### Post composition

\* The following table shows standard combinations of post lengths when ordering the maximum post length specification (57m).

Post length (m)	36.0	39.0	42.0	45.0	48.0	51.0	54.0	57.0
Post composition								
7.5m inner	1	1	1	1	1	1	1	1
* 3.0m insert	1	1	1	1	1	1	1	1
* 3.0m insert	1	1	1	1	1	1	1	1
3.0m insert	—	—	1	—	—	1	—	1
6.0m insert	1	—	—	1	—	—	1	1
9.0m insert	1	2	2	2	3	3	3	3
1.5m outer	1	1	1	1	1	1	1	1

Notes:

(\*1) 9.0m and 3.0m insert posts with the \* mark include guardrails for the middle equalizer.

(\*2) A pendant cable for extending the jib is also included with the 3.0m-9.0m insert posts.

### Jib composition

The following table shows standard combinations of jib lengths when ordering the maximum jib length specification.

Jib length (m)	27	30	33	36	39	42	45	48	51
Jib composition									
9.0m inner	1	1	1	1	1	1	1	1	1
3.0m insert	—	1	—	—	1	—	1	—	1
6.0m insert	—	—	1	—	—	1	1	2	2
9.0m insert	1	1	1	2	2	2	2	2	2
9.0m outer	1	1	1	1	1	1	1	1	1

## Optional Auxiliary Jib performance

### Specifications

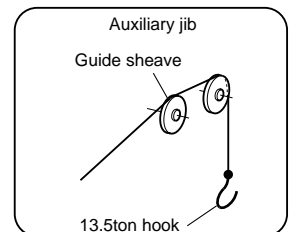
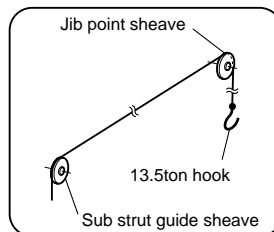
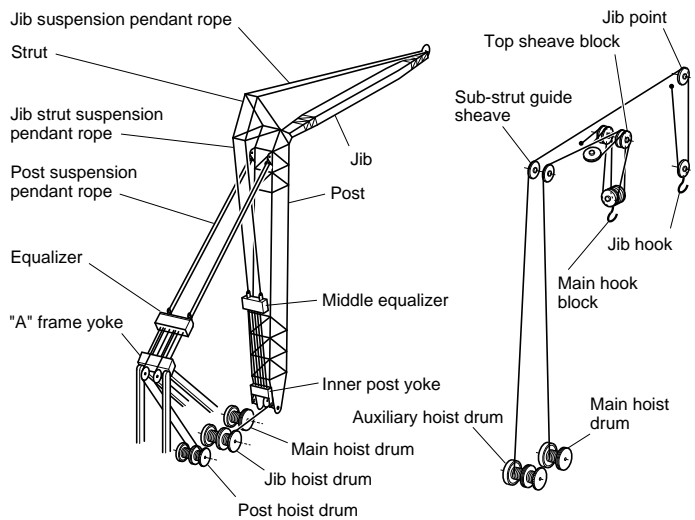
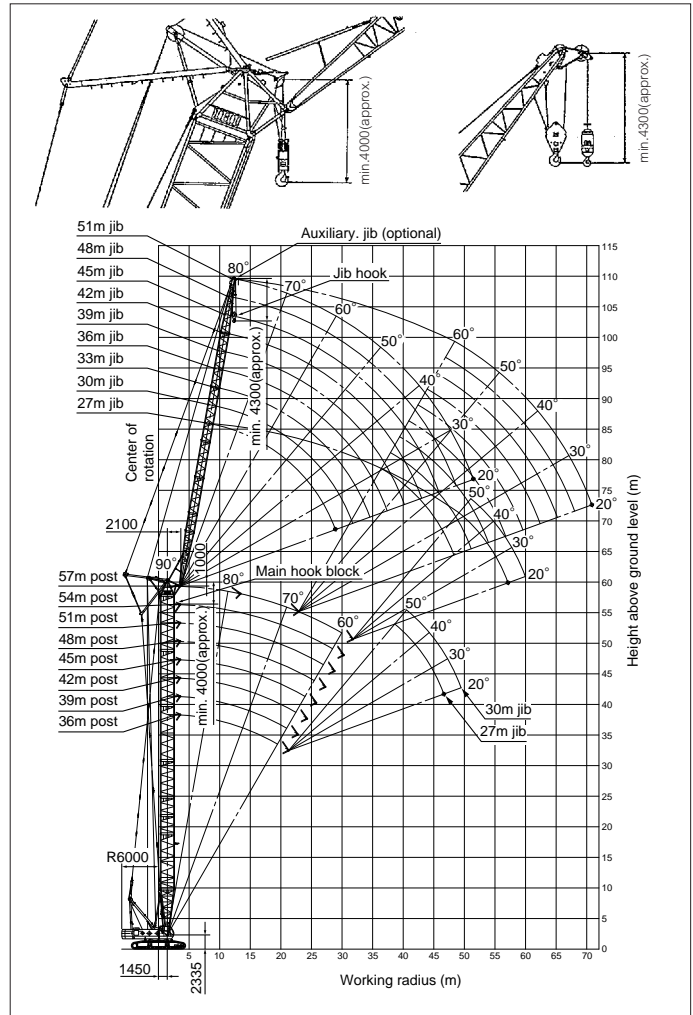
Max. lifting load x working radius (with 36m post+27m jib)	13.5metric tons x 26.0m (on jib hook)
Rope speed Load hoist/lowering	110~55/55~28m/min
Part line Optional aux. jib hoist x Part line	13.5ton x 1

Note: The rope speed changes depending on the load.

### Jib combination

The auxiliary jib can be attached to all jibs from 27m to 51m.

## Working range (No load condition)



# Luffing Jib Crane

CC11500

## ■ Post rated lifting loads (64 ton counterweight)

(Unit: metric ton)

Post length (m)	36.0						39.0						33.0		
Jib length (m)	27.0			30.0			27.0			30.0			33.0		
Jib offset angle Working radius (m)	10~20°	20~40°	40°~	10~20°	20~40°	40°~	10~20°	20~40°	40°~	10~20°	20~40°	40°~	10~20°	20~40°	40°~
6.0	6.3m x 50.0	6.3m x 50.0	6.3m x 50.0	6.3m x 50.0	6.3m x 50.0	6.3m x 50.0	6.6m x 50.0	6.6m x 50.0	6.6m x 50.0	6.6m x 50.0	6.6m x 50.0	6.6m x 50.0	6.6m x 50.0	6.6m x 50.0	6.6m x 50.0
7.0	50.0	50.0	50.0	50.0	50.0	50.0	50.0	50.0	50.0	50.0	50.0	50.0	50.0	50.0	50.0
8.0	50.0	50.0	50.0	50.0	50.0	50.0	50.0	50.0	50.0	50.0	50.0	50.0	50.0	50.0	50.0
9.0	50.0	50.0	50.0	50.0	50.0	50.0	50.0	50.0	50.0	50.0	50.0	50.0	50.0	50.0	9.9m x 50.0
10.0	50.0	50.0	50.0	50.0	50.0	50.0	50.0	50.0	50.0	50.0	11.9m x 50.0	11.9m x 50.0	10.5m x 50.0	10.1m x 50.0	49.6
12.0	50.0	50.0	50.0	50.0	50.0	50.0	50.0	50.0	50.0	50.0	49.7	49.7	42.9	41.0	39.6
14.0	41.5	41.3	41.3	41.0	40.7	40.7	41.4	41.2	41.2	40.9	40.6	40.6	33.8	31.9	30.5
16.0	32.8	32.6	32.6	32.3	32.0	32.0	32.7	32.5	32.5	32.2	31.9	31.9	25.1	23.2	21.8
18.0	26.5	26.3	26.3	26.0	25.7	25.7	26.3	26.1	26.1	25.8	25.5	25.5	18.7	16.8	15.4
20.0	21.6	21.4	21.4	21.1	20.8	20.8	21.5	21.3	21.3	21.0	20.7	20.7	13.9	12.0	10.6
22.0	17.8	17.6	17.6	17.3	17.0	17.0	17.6	17.4	17.4	17.1	16.8	16.8	10.0	8.1	6.7
24.0	14.7	14.5	14.5	14.2	13.9	13.9	14.6	14.4	14.4	14.1	13.8	13.8	7.0	5.1	3.7
26.0	12.1	11.9	11.9	11.6	11.3	11.3	12.0	11.8	11.8	11.5	11.2	11.2	4.4	2.5	
28.0	10.0	9.8	9.8	9.5	9.2	9.2	9.9	9.7	9.7	9.4	9.1	9.1	2.3		
30.0	8.2	8.0	8.0	7.7	7.4	7.4	8.0	7.8	7.8	7.5	7.2	7.2			
32.0	6.6	6.4	6.4	6.1	5.8	5.8	6.5	6.3	6.3	6.0	5.7	5.7			
34.0	5.2	5.0	5.0	4.7	4.4	4.4	5.1	4.9	4.9	4.6	4.3	4.3			
36.0	34.3m x 5.1	34.3m x 4.9	34.3m x 4.9	34.3m x 4.6	34.3m x 4.3	34.3m x 4.3	3.9	3.7	3.7	3.4	3.1	3.1			
38.0							36.9m x 3.4	36.9m x 3.2	36.9m x 3.2	36.9m x 2.9	36.9m x 2.6	36.9m x 2.6			

Post length (m)	42.0									45.0					
Jib length (m)	27.0			30.0			33.0			36.0			27.0		
Jib offset angle Working radius (m)	10~20°	20~40°	40°~	10~20°	20~40°	40°~	10~20°	20~40°	40°~	10~20°	20~40°	40°~	10~20°	20~40°	40°~
6.0	6.8m x 50.0	6.8m x 50.0	6.8m x 50.0	6.8m x 50.0	6.8m x 50.0	6.8m x 50.0	6.8m x 50.0	6.8m x 50.0	6.8m x 50.0	6.8m x 50.0	6.8m x 50.0	6.8m x 50.0			
7.0	50.0	50.0	50.0	50.0	50.0	50.0	50.0	50.0	50.0	50.0	50.0	50.0	7.1m x 50.0	7.1m x 50.0	7.1m x 50.0
8.0	50.0	50.0	50.0	50.0	50.0	50.0	50.0	50.0	50.0	50.0	50.0	50.0	50.0	50.0	50.0
9.0	50.0	50.0	50.0	50.0	50.0	50.0	50.0	50.0	9.9m x 50.0	50.0	50.0	9.7m x 50.0	50.0	50.0	50.0
10.0	50.0	50.0	50.0	11.9m x 50.0	11.9m x 50.0	11.9m x 50.0	10.5m x 50.0	10.1m x 50.0	49.5	10.4m x 50.0	50.0	48.4	50.0	50.0	50.0
12.0	50.0	50.0	50.0	49.9	49.6	49.6	42.8	40.9	39.5	42.1	40.0	38.4	50.0	50.0	50.0
14.0	41.3	41.1	41.1	40.8	40.5	40.5	33.7	31.8	30.4	33.0	30.9	29.3	41.1	40.9	40.9
16.0	32.6	32.4	32.4	32.1	31.8	31.8	25.0	23.1	21.7	24.3	22.2	20.6	32.4	32.2	32.2
18.0	26.2	26.0	26.0	25.7	25.4	25.4	18.6	16.7	15.3	17.9	15.8	14.2	26.0	25.8	25.8
20.0	21.3	21.1	21.1	20.8	20.5	20.5	13.7	11.8	10.4	13.0	10.9	9.3	21.2	21.0	21.0
22.0	17.5	17.3	17.3	17.0	16.7	16.7	9.9	8.0	6.6	9.2	7.1	5.5	17.3	17.1	17.1
24.0	14.4	14.2	14.2	13.9	13.6	13.6	6.8	4.9	3.5	6.1	4.0	2.4	14.3	14.1	14.1
26.0	11.8	11.6	11.6	11.3	11.0	11.0	4.2	2.3		3.5			11.7	11.5	11.5
28.0	9.7	9.5	9.5	9.2	8.9	8.9	2.1						9.5	9.3	9.3
30.0	7.9	7.7	7.7	7.4	7.1	7.1							7.7	7.5	7.5
32.0	6.3	6.1	6.1	5.8	5.5	5.5							6.1	5.9	5.9
34.0	4.9	4.7	4.7	4.4	4.1	4.1							4.8	4.6	4.6
36.0	3.7	3.5	3.5	3.2	2.9	2.9							3.6	3.4	3.4
38.0	2.7	2.5	2.5	2.2									2.5	2.3	2.3

Post length (m)	45.0									48.0					
Jib length (m)	30.0			33.0			36.0			39.0			27.0		
Jib offset angle Working radius (m)	10~20°	20~40°	40°~	10~20°	20~40°	40°~	10~20°	20~40°	40°~	10~20°	20~40°	40°~	10~20°	20~40°	40°~
6.0															
7.0	7.1m x 50.0	7.1m x 50.0	7.1m x 50.0	7.1m x 50.0	7.1m x 50.0	7.1m x 50.0	7.1m x 50.0	7.1m x 50.0	7.1m x 50.0	7.1m x 50.0	7.1m x 50.0	7.1m x 50.0	7.3m x 50.0	7.3m x 50.0	7.3m x 50.0
8.0	50.0	50.0	50.0	50.0	50.0	50.0	50.0	50.0	50.0	50.0	50.0	50.0	50.0	50.0	50.0
9.0	50.0	50.0	50.0	50.0	50.0	9.8m x 50.0	50.0	9.9m x 50.0	9.6m x 50.0	50.0	9.7m x 50.0	9.2m x 50.0	50.0	50.0	50.0
10.0	11.9m x 50.0	11.9m x 50.0	11.9m x 50.0	10.5m x 50.0	10.1m x 50.0	49.3	10.3m x 50.0	49.8	48.2	10.2m x 50.0	48.6	46.4	50.0	50.0	50.0
12.0	49.7	49.4	49.4	42.6	40.7	39.3	41.9	39.8	38.2	41.1	38.6	36.4	50.0	50.0	50.0
14.0	40.6	40.3	40.3	33.5	31.6	30.2	32.8	30.7	29.1	32.0	29.5	27.3	41.0	40.8	40.8
16.0	31.9	31.6	31.6	24.8	22.9	21.5	24.1	22.0	20.4	23.3	20.8	18.6	32.3	32.1	32.1
18.0	25.5	25.2	25.2	18.4	16.5	15.1	17.7	15.6	14.0	16.9	14.4	12.2	25.9	25.7	25.7
20.0	20.7	20.4	20.4	13.6	11.7	10.3	12.9	10.8	9.2	12.1	9.6	7.4	21.0	20.8	20.8
22.0	16.8	16.5	16.5	9.7	7.8	6.4	9.0	6.9	5.3	8.2	5.7	3.5	17.2	17.0	17.0
24.0	13.8	13.5	13.5	6.7	4.8	3.4	6.0	3.9	2.3	5.2	2.7		14.1	13.9	13.9
26.0	11.2	10.9	10.9	4.1	2.2		3.4			2.6			11.5	11.3	11.3
28.0	9.0	8.7	8.7										9.4	9.2	9.2
30.0	7.2	6.9	6.9										7.6	7.4	7.4
32.0	5.6	5.3	5.3										6.0	5.8	5.8
34.0	4.3	4.0	4.0										4.6	4.4	4.4
36.0	3.1	2.8	2.8										3.4	3.2	3.2
38.0	2.0												2.3	2.1	2.1

# Luffing Jib Crane

**CCH1500**

## ■ Post rated lifting loads (64 ton counterweight)

(Unit: metric ton)

Post length (m)	48.0														
Jib length (m)	30.0			33.0			36.0			39.0			42.0		
Jib offset angle Working radius (m)	10~20°	20~40°	40°~	10~20°	20~40°	40°~	10~20°	20~40°	40°~	10~20°	20~40°	40°~	10~20°	20~40°	40°~
6.0															
7.0	7.3m x 50.0	7.3m x 50.0	7.3m x 50.0	7.3m x 50.0	7.3m x 50.0	7.3m x 50.0	7.3m x 50.0	7.3m x 50.0	7.3m x 50.0	7.3m x 50.0	7.3m x 50.0	7.3m x 50.0	7.3m x 50.0	7.3m x 50.0	7.3m x 50.0
8.0	50.0	50.0	50.0	50.0	50.0	50.0	50.0	50.0	50.0	50.0	50.0	50.0	50.0	50.0	50.0
9.0	50.0	50.0	50.0	50.0	50.0	9.7m x 50.0	50.0	9.9m x 50.0	9.5m x 50.0	50.0	9.6m x 50.0	9.2m x 50.0	50.0	9.4m x 50.0	50.0
10.0	11.9m x 50.0	11.8m x 50.0	11.8m x 50.0	10.4m x 50.0	50.0	49.2	10.3m x 50.0	49.7	48.1	10.1m x 50.0	48.5	46.3	50.0	47.4	44.7
12.0	49.6	49.3	49.3	42.5	40.6	39.2	41.8	39.7	38.1	41.0	38.5	36.3	40.2	37.4	34.7
14.0	40.5	40.2	40.2	33.4	31.5	30.1	32.7	30.6	29.0	31.9	29.4	27.2	31.1	28.3	25.6
16.0	31.8	31.5	31.5	24.7	22.8	21.4	24.0	21.9	20.3	23.2	20.7	18.5	22.4	19.6	16.9
18.0	25.4	25.1	25.1	18.3	16.4	15.0	17.6	15.5	13.9	16.8	14.3	12.1	16.0	13.2	10.5
20.0	20.5	20.2	20.2	13.4	11.5	10.1	12.7	10.6	9.0	11.9	9.4	7.2	11.1	8.3	5.6
22.0	16.7	16.4	16.4	9.6	7.7	6.3	8.9	6.8	5.2	8.1	5.6	3.4	7.3	4.5	
24.0	13.6	13.3	13.3	6.5	4.6	3.2	5.8	3.7	2.1	5.0	2.5		4.2		
26.0	11.0	10.7	10.7	3.9	2.0		3.2			2.4					
28.0	8.9	8.6	8.6												
30.0	7.1	6.8	6.8												
32.0	5.5	5.2	5.2												
34.0	4.1	3.8	3.8												
36.0	2.9	2.6	2.6												
38.0															

Post length (m)	51.0														
Jib length (m)	27.0			30.0			33.0			36.0			39.0		
Jib offset angle Working radius (m)	10~20°	20~40°	40°~	10~20°	20~40°	40°~	10~20°	20~40°	40°~	10~20°	20~40°	40°~	10~20°	20~40°	40°~
6.0															
7.0	7.6m x 50.0	7.6m x 50.0	7.6m x 50.0	7.6m x 50.0	7.6m x 50.0	7.6m x 50.0	7.6m x 50.0	7.6m x 50.0	7.6m x 50.0	7.6m x 50.0	7.6m x 50.0	7.6m x 50.0	7.6m x 50.0	7.6m x 50.0	7.6m x 50.0
8.0	50.0	50.0	50.0	50.0	50.0	50.0	50.0	50.0	50.0	50.0	50.0	50.0	50.0	50.0	50.0
9.0	50.0	50.0	50.0	50.0	50.0	50.0	50.0	50.0	9.6m x 50.0	50.0	9.8m x 50.0	9.4m x 50.0	50.0	9.5m x 50.0	50.0
10.0	50.0	50.0	50.0	11.8m x 50.0	11.7m x 50.0	11.7m x 50.0	10.3m x 50.0	50.0	49.1	10.2m x 50.0	49.6	48.0	50.0	48.4	46.2
12.0	50.0	50.0	50.0	49.5	49.2	49.2	42.4	40.5	39.1	41.7	39.6	38.0	40.9	38.4	36.2
14.0	40.9	40.7	40.7	40.4	40.1	40.1	33.3	31.4	30.0	32.6	30.5	28.9	31.8	29.3	27.1
16.0	32.1	31.9	31.9	31.6	31.3	31.3	24.5	22.6	21.2	23.8	21.7	20.1	23.0	20.5	18.3
18.0	25.8	25.6	25.6	25.3	25.0	25.0	18.2	16.3	14.9	17.5	15.4	13.8	16.7	14.2	12.0
20.0	20.9	20.7	20.7	20.4	20.1	20.1	13.3	11.4	10.0	12.6	10.5	8.9	11.8	9.3	7.1
22.0	17.1	16.9	16.9	16.6	16.3	16.3	9.5	7.6	6.2	8.8	6.7	5.1	8.0	5.5	3.3
24.0	14.0	13.8	13.8	13.5	13.2	13.2	6.4	4.5	3.1	5.7	3.6	2.0	4.9	2.4	
26.0	11.4	11.2	11.2	10.9	10.6	10.6	3.8			3.1			2.3		
28.0	9.2	9.0	9.0	8.7	8.4	8.4									
30.0	7.4	7.2	7.2	6.9	6.6	6.6									
32.0	5.8	5.6	5.6	5.3	5.0	5.0									
34.0	4.5	4.3	4.3	4.0	3.7	3.7									
36.0	3.3	3.1	3.1	2.8	2.5	2.5									
38.0	2.2	2.0	2.0												

Post length (m)	51.0									54.0					
Jib length (m)	42.0			45.0			27.0			30.0			33.0		
Jib offset angle Working radius (m)	10~20°	20~40°	40°~	10~20°	20~40°	40°~	10~20°	20~40°	40°~	10~20°	20~40°	40°~	10~20°	20~40°	40°~
6.0															
7.0	7.6m x 50.0	7.6m x 50.0	7.6m x 50.0	7.6m x 50.0	7.6m x 50.0	7.6m x 50.0	7.9m x 50.0	7.9m x 50.0	7.9m x 50.0	7.9m x 50.0	7.9m x 50.0	7.9m x 50.0	7.9m x 50.0	7.9m x 50.0	7.9m x 50.0
8.0	50.0	50.0	6.9m x 50.0	50.0	50.0	8.5m x 50.0	50.0	50.0	50.0	50.0	50.0	50.0	50.0	50.0	50.0
9.0	50.0	9.4m x 50.0	49.6	9.8m x 50.0	50.0	47.9	50.0	50.0	50.0	50.0	50.0	50.0	50.0	50.0	9.4m x 50.0
10.0	50.0	47.3	44.6	49.4	45.9	42.9	11.9m x 50.0	11.9m x 50.0	11.9m x 50.0	11.6m x 50.0	11.5m x 50.0	11.5m x 50.0	10.1m x 50.0	50.0	48.9
12.0	40.1	37.3	34.6	39.4	35.9	32.9	49.8	49.6	49.6	49.3	49.0	49.0	42.2	40.3	38.9
14.0	31.0	28.2	25.5	30.3	26.8	23.8	40.7	40.5	40.5	40.2	39.9	39.9	33.1	31.2	29.8
16.0	22.2	19.4	16.7	21.5	18.0	15.0	32.0	31.8	31.8	31.5	31.2	31.2	24.4	22.5	21.1
18.0	15.9	13.1	10.4	15.2	11.7	8.7	25.6	25.4	25.4	25.1	24.8	24.8	18.0	16.1	14.7
20.0	11.0	8.2	5.5	10.3	6.8	3.8	20.8	20.6	20.6	20.3	20.0	20.0	13.2	11.3	9.9
22.0	7.2	4.4		6.5	3.0		16.9	16.7	16.7	16.4	16.1	16.1	9.3	7.4	6.0
24.0	4.1			3.4			13.8	13.6	13.6	13.3	13.0	13.0	6.2	4.3	2.9
26.0							11.2	11.0	11.0	10.7	10.4	10.4	3.6		
28.0							9.1	8.9	8.9	8.6	8.3	8.3			
30.0							7.3	7.1	7.1	6.8	6.5	6.5			
32.0							5.7	5.5	5.5	5.2	4.9	4.9			
34.0							4.3	4.1	4.1	3.8	3.5	3.5			
36.0							3.1	2.9	2.9	2.6	2.3	2.3			
38.0							2.0								



# Luffing Jib Crane

CC11500

## ■ Post rated lifting loads (64 ton counterweight)

(Unit: metric ton)

Post length (m)	36.0						39.0			42.0			45.0			48.0		
Jib length (m)	36.0			39.0			42.0			45.0			48.0					
Jib offset angle	10~20°	20~40°	40°~	10~20°	20~40°	40°~	10~20°	20~40°	40°~	10~20°	20~40°	40°~	10~20°	20~40°	40°~			
Working radius (m)	10~20°	20~40°	40°~	10~20°	20~40°	40°~	10~20°	20~40°	40°~	10~20°	20~40°	40°~	10~20°	20~40°	40°~			
7.0	7.9m x 50.0	7.9m x 50.0	7.9m x 50.0	7.9m x 50.0	7.9m x 50.0	7.9m x 50.0	7.9m x 50.0	7.9m x 50.0	7.9m x 50.0	7.9m x 50.0	7.9m x 50.0	7.9m x 50.0	7.9m x 50.0	7.9m x 50.0	7.9m x 50.0			
8.0	50.0	50.0	50.0	50.0	50.0	50.0	50.0	50.0	8.7m x 50.0	50.0	50.0	8.5m x 50.0	50.0	8.7m x 50.0	48.9			
9.0	50.0	9.6m x 50.0	9.2m x 50.0	50.0	9.3m x 50.0	50.0	9.9m x 50.0	50.0	49.4	9.8m x 50.0	50.0	47.7	9.6m x 50.0	48.9	45.6			
10.0	50.0	49.4	47.8	50.0	48.2	46.0	49.9	47.1	44.4	49.2	45.7	42.7	48.3	43.9	40.6			
12.0	41.5	39.4	37.8	40.7	38.2	36.0	39.9	37.1	34.4	39.2	35.7	32.7	38.3	33.9	30.6			
14.0	32.4	30.3	28.7	31.6	29.1	26.9	30.8	28.0	25.3	30.1	26.6	23.6	29.2	24.8	21.5			
16.0	23.7	21.6	20.0	22.9	20.4	18.2	22.1	19.3	16.6	21.4	17.9	14.9	20.5	16.1	12.8			
18.0	17.3	15.2	13.6	16.5	14.0	11.8	15.7	12.9	10.2	15.0	11.5	8.5	14.1	9.7	6.4			
20.0	12.5	10.4	8.8	11.7	9.2	7.0	10.9	8.1	5.4	10.2	6.7	3.7	9.3	4.9				
22.0	8.6	6.5	4.9	7.8	5.3	3.1	7.0	4.2		6.3	2.8		5.4					
24.0	5.5	3.4		4.7	2.2		3.9			3.2			2.3					
26.0	2.9			2.1														

Post length (m)	27.0						30.0			33.0			36.0			39.0		
Jib length (m)	27.0			30.0			33.0			36.0			39.0					
Jib offset angle	10~20°	20~40°	40°~	10~20°	20~40°	40°~	10~20°	20~40°	40°~	10~20°	20~40°	40°~	10~20°	20~40°	40°~			
Working radius (m)	10~20°	20~40°	40°~	10~20°	20~40°	40°~	10~20°	20~40°	40°~	10~20°	20~40°	40°~	10~20°	20~40°	40°~			
8.0	8.1m x 50.0	8.1m x 50.0	8.1m x 50.0	8.1m x 50.0	8.1m x 50.0	8.1m x 50.0	8.1m x 50.0	8.1m x 50.0	8.1m x 50.0	8.1m x 50.0	8.1m x 50.0	8.1m x 50.0	8.1m x 50.0	8.1m x 50.0	8.1m x 50.0			
9.0	50.0	50.0	50.0	50.0	50.0	50.0	50.0	50.0	9.3m x 50.0	50.0	9.5m x 50.0	9.1m x 50.0	50.0	9.2m x 50.0	50.0			
10.0	11.9m x 50.0	11.9m x 50.0	11.9m x 50.0	11.5m x 50.0	11.4m x 50.0	11.4m x 50.0	50.0	50.0	48.8	50.0	49.3	47.7	50.0	48.1	45.9			
12.0	49.7	49.5	49.5	49.2	48.9	48.9	42.1	40.2	38.8	41.4	39.3	37.7	40.6	38.1	35.9			
14.0	40.6	40.4	40.4	40.1	39.8	39.8	33.0	31.1	29.7	32.3	30.2	28.6	31.5	29.0	26.8			
16.0	31.9	31.7	31.7	31.4	31.1	31.1	24.3	22.4	21.0	23.6	21.5	19.9	22.8	20.3	18.1			
18.0	25.5	25.3	25.3	25.0	24.7	24.7	17.9	16.0	14.6	17.2	15.1	13.5	16.4	13.9	11.7			
20.0	20.6	20.4	20.4	20.1	19.8	19.8	13.0	11.1	9.7	12.3	10.2	8.6	11.5	9.0	6.8			
22.0	16.8	16.6	16.6	16.3	16.0	16.0	9.2	7.3	5.9	8.5	6.4	4.8	7.7	5.2	3.0			
24.0	13.7	13.5	13.5	13.2	12.9	12.9	6.1	4.2	2.8	5.4	3.3		4.6	2.1				
26.0	11.1	10.9	10.9	10.6	10.3	10.3	3.5			2.8			2.0					
28.0	8.9	8.7	8.7	8.4	8.1	8.1												
30.0	7.1	6.9	6.9	6.6	6.3	6.3												
32.0	5.5	5.3	5.3	5.0	4.7	4.7												
34.0	4.1	3.9	3.9	3.6	3.3	3.3												
36.0	2.9	2.7	2.7	2.4	2.1	2.1												

Post length (m)	57.0											
Jib length (m)	42.0			45.0			48.0			51.0		
Jib offset angle	10~20°	20~40°	40°~	10~20°	20~40°	40°~	10~20°	20~40°	40°~	10~20°	20~40°	40°~
Working radius (m)	10~20°	20~40°	40°~	10~20°	20~40°	40°~	10~20°	20~40°	40°~	10~20°	20~40°	40°~
8.0	8.1m x 50.0	8.1m x 50.0	8.1m x 50.0	8.1m x 50.0	8.1m x 50.0	8.1m x 50.0	8.1m x 50.0	8.1m x 50.0	8.1m x 50.0	8.1m x 50.0	8.1m x 49.8	8.1m x 46.1
9.0	9.9m x 50.0	50.0	49.3	9.8m x 50.0	50.0	47.6	9.6m x 50.0	48.8	45.5	9.4m x 50.0	47.0	43.3
10.0	49.8	47.0	44.3	49.1	45.6	42.6	48.2	43.8	40.5	47.1	42.0	38.3
12.0	39.8	37.0	34.3	39.1	35.6	32.6	38.2	33.8	30.5	37.1	32.0	28.3
14.0	30.7	27.9	25.2	30.0	26.5	23.5	29.1	24.7	21.4	28.0	22.9	19.2
16.0	22.0	19.2	16.5	21.3	17.8	14.8	20.4	16.0	12.7	19.3	14.2	10.5
18.0	15.6	12.8	10.1	14.9	11.4	8.4	14.0	9.6	6.3	12.9	7.8	4.1
20.0	10.7	7.9	5.2	10.0	6.5	3.5	9.1	4.7		8.0	2.9	
22.0	6.9	4.1		6.2	2.7		5.3			4.2		
24.0	3.8			3.1			2.2					

### Notes

- Above rated loads are based on the machine being operated on firm level ground, within 78% of tipping load at any point of 360° around the machine with forward stability factor of over 1.15.
- The weight of hook blocks must be considered to be a part of the loads.  
For post  
50ton hook block...1.00ton  
30ton hook block...1.00ton  
For tower jib  
25ton hook block...1.00ton  
13.5ton hook block...0.60ton
- Depending on the number of part lines, rated load is limited as follows:  
2part line...up to 25.0ton  
4part line...up to 50.0ton
- The angle of the center line of the post and the center line of the jib (offset angle) must not be less than 10°.
- The angle of the center line of the jib to level ground (tower jib angle) must not be less than 20° under loaded conditions.
- When attaching the auxiliary jib, the post rated loads must be reduced by 1.5t from the figure shown in the above table.

# Luffing Jib Crane

**CCH1500**

## ■ Jib rated lifting loads (64ton counterweight)

(Unit: metric ton)

Post length (m)	36.0								39.0											
Jib length (m)	27.0				30.0				27.0				30.0				33.0			
Post angle	90°	80°	70°	60°	90°	80°	70°	60°	90°	80°	70°	60°	90°	80°	70°	60°	90°	80°	70°	
Working radius (m)	90°	80°	70°	60°	90°	80°	70°	60°	90°	80°	70°	60°	90°	80°	70°	60°	90°	80°	70°	
8.0	8.3m x 25.0				8.8m x 23.4				8.3m x 25.0				8.8m x 23.4							
9.0	25.0				23.4				25.0				23.4				9.3m x 22.2			
10.0	25.0				23.4				25.0				23.4				22.2			
12.0	13.6m x 25.0				23.4				13.6m x 25.0				23.4				22.2			
14.0	24.5				22.8				24.5				22.8				15.5m x 22.2			
16.0	22.3				22.2				22.3				22.2				21.8			
18.0	20.2	19.0m x 19.3			20.2				20.2	19.5m x 18.9			20.2				20.2			
20.0	18.3	18.3			18.3	18.3			18.3	18.3			18.3	20.5m x 18.0			18.3	21.5m x 17.1		
22.0	16.8	16.8			16.7	16.7			16.8	16.8			16.7	16.7			16.7	16.7		
24.0	15.2	15.2			15.2	15.2			15.2	15.2			15.2	15.2			15.2	15.2		
26.0	13.9	13.9			13.9	13.9			13.9	13.9			13.9	13.9			13.9	13.9		
28.0	12.6	12.6	29.1m x 12.0		12.6	12.6			12.6	12.6			12.6	12.6			12.6	12.6		
30.0	28.4m x 12.3	11.5	11.5		11.5	11.5	30.6m x 11.2		28.4m x 12.3	11.5	30.1m x 11.5		11.5	11.5	31.6m x 10.8		11.5	11.5		
32.0		10.6	10.6		31.3m x 10.8	10.6	10.6			10.6	10.6		31.3m x 10.8	10.6	10.6		10.6	10.6	33.1m x 10.2	
34.0		9.8	9.8			9.8	9.8			9.8	9.8			9.8	9.8		9.8	9.8		
36.0		34.7m x 9.5	9.1			9.1	9.1			35.2m x 9.3	9.1			9.1	9.1		34.1m x 9.7	9.1	9.1	
38.0			8.4	38.4m x 8.3		37.5m x 8.5	8.4				8.4	39.9m x 7.8		8.4	8.4			8.4	8.4	
40.0			7.8	7.8			7.8	40.4m x 7.7			7.8	7.8		7.8	7.8		7.8	41.9m x 7.3	7.8	
42.0			40.6m x 7.6	7.3			7.3	7.3			41.6m x 7.3	7.3		7.3	7.3		7.3	7.3	40.8m x 7.6	
44.0				6.8			43.4m x 6.9	6.8				6.8		6.8	6.8		6.8	6.8	6.8	
46.0				6.4				6.4				6.4			44.4m x 6.7		6.4	6.4	6.4	
48.0				46.1m x 6.3				6.1			47.6m x 6.1						6.1		47.3m x 6.1	
50.0								49.0m x 5.9									5.7			
52.0																	50.5m x 5.6			

Post length (m)	42.0								45.0											
Jib length (m)	27.0				30.0				33.0				36.0				27.0			
Post angle	90°	80°	70°	60°	90°	80°	70°	60°	90°	80°	70°	60°	90°	80°	70°	60°	90°	80°	70°	60°
Working radius (m)	90°	80°	70°	60°	90°	80°	70°	60°	90°	80°	70°	60°	90°	80°	70°	60°	90°	80°	70°	60°
8.0	8.3m x 25.0				8.8m x 23.4												8.3m x 25.0			
9.0	25.0				23.4					9.3m x 22.2				9.8m x 20.5			25.0			
10.0	25.0				23.4					22.2				20.5			25.0			
12.0	13.6m x 25.0				23.4					22.2				20.5			13.6m x 25.0			
14.0	24.5				22.8					15.5m x 22.2				20.5			24.5			
16.0	22.3				22.2					21.8				20.1			22.3			
18.0	20.2				20.2					20.2				19.6			20.2			
20.0	18.3	18.3			18.3	21.0m x 17.5				18.3				18.2			18.3	20.5m x 17.9		
22.0	16.8	16.8			16.7	16.7				16.7	22.1m x 16.7			16.6	23.1m x 15.8		16.8	16.8		
24.0	15.2	15.2			15.2	15.2				15.2	15.2			15.1	15.1		15.2	15.2		
26.0	13.9	13.9			13.9	13.9				13.9	13.9			13.8	13.8		13.9	13.9		
28.0	12.6	12.6			12.6	12.6				12.6	12.6			12.5	12.5		12.6	12.6		
30.0	28.4m x 12.3	11.5	31.2m x 11.0		11.5	11.5				11.5	11.5			11.5	11.5		28.4m x 12.3	11.5		
32.0		10.6	10.6		31.3m x 10.8	10.6	32.7m x 10.4			10.6	10.6			10.6	10.6		10.6	10.6	32.2m x 10.5	
34.0		9.8	9.8			9.8	9.8			9.8	9.8	34.2m x 9.8		9.8	9.8	35.7m x 9.2		9.8	9.8	
36.0		35.7m x 9.2	9.1			9.1	9.1			34.1m x 9.7	9.1	9.1		9.1	9.1		9.1	9.1		
38.0			8.4			8.4	8.4				8.4	8.4	36.9m x 8.7		8.4	8.4		36.2m x 9.0	8.4	
40.0			7.8	41.4m x 7.4		38.5m x 8.2	7.8				7.8	7.8		7.8	7.8			7.8		
42.0			7.3	7.3			7.3	43.4m x 7.0			41.3m x 7.4	7.3		7.3	7.3			7.3	42.9m x 7.0	
44.0			42.7m x 7.0	6.8			6.8	6.8				6.8		6.8	6.8			43.7m x 6.8	6.8	
46.0				6.4			45.5m x 6.5	6.4				6.4		44.1m x 6.7	6.4				6.4	
48.0				6.1				6.1				6.0			6.0				6.1	
50.0				49.1m x 5.9				5.7				48.3m x 5.9			5.6				5.8	
52.0								5.4							51.1m x 5.4				50.6m x 5.7	

# Luffing Jib Crane

CC11500

## Jib rated lifting loads (64ton counterweight)

(Unit: metric ton)

Post length (m)	45.0															48.0			
Jib length (m)	30.0				33.0			36.0			39.0			27.0					
Post angle	90°	80°	70°	60°	90°	80°	70°	90°	80°	70°	90°	80°	70°	90°	80°	70°	60°		
Working radius (m)	90°	80°	70°	60°	90°	80°	70°	90°	80°	70°	90°	80°	70°	90°	80°	70°	60°		
8.0	8.8m x 23.4																8.3m x 25.0		
9.0	23.4				9.3m x 22.2			9.8m x 20.5									25.0		
10.0	23.4				22.2			20.5						10.3m x 18.8			25.0		
12.0	23.4				22.2			20.5						18.8			13.6m x 25.0		
14.0	22.8				15.5m x 22.2			20.5						18.8			24.5		
16.0	22.2				21.8			20.1						18.8			22.3		
18.0	20.2				20.2			19.6						18.8			20.2		
20.0	18.3	21.6m x 17.1			18.3			18.2						17.7			18.3	21.0m x 17.5	
22.0	16.7	16.7			16.7	22.6m x 16.3		16.6	23.6m x 15.4					16.5			16.8	16.8	
24.0	15.2	15.2			15.2	15.2		15.1	15.1					15.1	24.6m x 14.7		15.2	15.2	
26.0	13.9	13.9			13.9	13.9		13.8	13.8					13.8	13.8		13.9	13.9	
28.0	12.6	12.6			12.6	12.6		12.5	12.5					12.5	12.5		12.6	12.6	
30.0	11.5	11.5			11.5	11.5		11.5	11.5					11.5	11.5		28.4m x 12.3	11.5	
32.0	31.3m x 10.8	10.6	33.7m x 10.0		10.6	10.6		10.6	10.6					10.6	10.6		10.6	33.2m x 10.1	
34.0		9.8	9.8		9.8	9.8	35.2m x 9.4	9.8	9.8					9.8	9.8		9.8	9.8	
36.0		9.1	9.1		34.1m x 9.7	9.1	9.1	9.1	9.1	36.7m x 8.8				9.1	9.1		9.1	9.1	
38.0		8.4	8.4		8.4	8.4	8.4	36.9m x 8.7	8.4	8.4	8.4	8.4	8.4	8.4	8.4	38.2m x 8.4	36.7m x 8.8	8.4	
40.0		39.0m x 8.0	7.8		7.8	7.8	7.8	7.8	7.8	7.8	39.7m x 7.8	7.8	7.8	7.8	7.8	7.8	7.8	7.8	
42.0			7.3		7.3	7.3	7.3	7.3	7.3	7.3	7.3	7.3	7.3	7.3	7.3	7.3	7.3	7.3	
44.0			6.8	44.9m x 6.6	6.8	6.8	6.8	6.8	6.8	6.8	6.8	6.8	6.8	6.8	6.8	6.8	6.8	44.4m x 6.6	
46.0			6.4	6.4	6.4	6.4	6.4	6.4	6.4	44.7m x 6.6	6.4	6.4	6.4	6.3	6.3	6.3	44.7m x 6.5	6.4	
48.0			46.5m x 6.3	6.1	6.1	6.1	6.0	6.0	6.0	6.0	6.0	6.0	6.0	47.5m x 6.0	5.9	5.9	5.9	6.1	
50.0				5.7	5.7	5.7	49.3m x 5.7	5.7	5.7	5.7	5.7	5.7	5.7	5.7	5.7	5.7	5.7	5.8	
52.0				5.4	5.4	5.4	5.4	5.4	5.4	5.4	5.4	5.4	5.4	5.4	5.4	5.4	5.4	5.5	
54.0				53.5m x 5.2	5.2	5.2	5.2	5.2	5.2	52.1m x 5.2	5.2	5.2	5.2	5.2	5.2	5.2	5.2	52.1m x 5.4	
56.0														55.0m x 4.7	4.7	4.7	4.7	4.7	

Post length (m)	48.0																	
Jib length (m)	30.0				33.0			36.0			39.0			42.0				
Post angle	90°	80°	70°	60°	90°	80°	70°	90°	80°	70°	90°	80°	70°	90°	80°	70°		
Working radius (m)	90°	80°	70°	60°	90°	80°	70°	90°	80°	70°	90°	80°	70°	90°	80°	70°		
8.0	8.8m x 23.4																	
9.0	23.4				9.3m x 22.2			9.8m x 20.5										
10.0	23.4				22.2			20.5						10.3m x 18.8			10.9m x 17.0	
12.0	23.4				22.2			20.5						18.8			17.0	
14.0	22.8				15.5m x 22.2			20.5						18.8			14.5m x 17.0	
16.0	22.2				21.8			20.1						18.8			16.8	
18.0	20.2				20.2			19.6						18.8			16.5	
20.0	18.3				18.3			18.2						17.7			16.4	
22.0	16.7	22.1m x 16.7			16.7	23.1m x 15.9		16.6						16.5			15.6	
24.0	15.2	15.2			15.2	15.2		15.1	24.1m x 15.1					15.1	25.1m x 14.4		14.8	
26.0	13.9	13.9			13.9	13.9		13.8	13.8					13.8	13.8		13.8	26.2m x 13.7
28.0	12.6	12.6			12.6	12.6		12.5	12.5					12.5	12.5		12.5	12.5
30.0	11.5	11.5			11.5	11.5		11.5	11.5					11.5	11.5		11.4	11.4
32.0	31.3m x 10.8	10.6			10.6	10.6		10.6	10.6					10.6	10.6		10.5	10.5
34.0		9.8	34.7m x 9.6		9.8	9.8		9.8	9.8					9.8	9.8		9.7	9.7
36.0		9.1	9.1		34.1m x 9.7	9.1	36.2m x 9.0	9.1	9.1	37.7m x 8.5				9.1	9.1		9.0	9.0
38.0		8.4	8.4		8.4	8.4	8.4	36.9m x 8.7	8.4	8.4	8.4	8.4	8.4	8.4	8.4	39.2m x 8.0	8.3	8.3
40.0		39.5m x 7.9	7.8		7.8	7.8	7.8	7.8	7.8	7.8	39.7m x 7.8	7.8	7.8	7.8	7.8	7.8	7.8	40.7m x 7.6
42.0			7.3		7.3	7.3	7.3	7.3	7.3	7.3	7.3	7.3	7.3	7.2	7.2	7.2	7.2	7.2
44.0			6.8		6.8	6.8	42.4m x 7.2	6.8	6.8	6.8	6.8	6.8	6.8	6.8	6.8	42.5m x 7.0	6.7	6.7
46.0			6.4	46.4m x 6.3	6.4	6.4	6.4	6.4	6.4	45.2m x 6.5	6.4	6.4	6.4	6.3	6.3	6.3	6.3	6.3
48.0			47.5m x 6.1	6.1	6.1	6.1	6.0	6.0	6.0	6.0	6.0	6.0	6.0	5.9	5.9	5.9	5.9	5.9
50.0				5.7	5.7	5.7	5.7	5.7	5.7	5.7	5.7	5.7	5.7	5.7	5.7	5.7	5.7	5.7
52.0				5.4	5.4	5.4	5.4	5.4	5.4	5.4	5.4	5.4	5.4	5.4	5.4	5.4	5.4	5.4
54.0				5.1	5.1	5.1	5.1	5.1	5.1	5.1	5.1	5.1	5.1	5.1	5.1	5.1	5.1	5.1
56.0				55.0m x 5.0	5.0	5.0	5.0	5.0	5.0	5.0	5.0	5.0	5.0	5.0	5.0	5.0	5.0	5.0
58.0														4.9	4.9	4.9	4.9	4.9
60.0																		58.8m x 4.2

# Luffing Jib Crane

**CCH1500**

## ■ Jib rated lifting loads (64 ton counterweight)

(Unit: metric ton)

Post length (m)	51.0																
Jib length (m)	27.0				30.0				33.0			36.0			39.0		
Post angle	90°	80°	70°	60°	90°	80°	70°	60°	90°	80°	70°	90°	80°	70°	90°	80°	70°
Working radius (m)	90°	80°	70°	60°	90°	80°	70°	60°	90°	80°	70°	90°	80°	70°	90°	80°	70°
8.0	8.3m x 25.0				8.8m x 23.4												
9.0	25.0				23.4							9.3m x 22.2			9.8m x 20.5		
10.0	25.0				23.4							22.2			20.5		10.3m x 18.8
12.0	13.6m x 25.0				23.4							22.2			20.5		18.8
14.0	24.5				22.8							15.5m x 22.2			20.5		18.8
16.0	22.3				22.2							21.8			20.1		18.8
18.0	20.2				20.2							20.2			19.6		18.8
20.0	18.3	21.6m x 17.1			18.3							18.3			18.2		17.7
22.0	16.8	16.8			16.7	22.6m x 16.3						16.7	23.6m x 15.5		16.6		16.5
24.0	15.2	15.2			15.2	15.2						15.2	15.2		15.1	24.6m x 14.7	15.1
26.0	13.9	13.9			13.9	13.9						13.9	13.9		13.8	13.8	13.8
28.0	12.6	12.6			12.6	12.6						12.6	12.6		12.5	12.5	12.5
30.0	28.4m x 12.3	11.5			11.5	11.5						11.5	11.5		11.5	11.5	11.5
32.0		10.6			31.3m x 10.8	10.6						10.6	10.6		10.6	10.6	10.6
34.0		9.8	34.2m x 9.7			9.8	35.7m x 9.2					9.8	9.8		9.8	9.8	9.8
36.0		9.1	9.1			9.1	9.1					34.1m x 9.7	9.1	37.2m x 8.7	9.1	9.1	9.1
38.0		37.2m x 8.6	8.4			8.4	8.4					8.4	8.4	36.9m x 8.7	8.4	38.7m x 8.2	8.4
40.0			7.8			7.8	7.8					7.8	7.8	7.8	7.8	39.7m x 7.8	7.8
42.0			7.3			40.1m x 7.7	7.3					7.3	7.3	7.3	7.3	7.3	7.2
44.0			6.8	45.9m x 6.4			6.8					42.9m x 7.0	6.8	6.8	6.8	6.8	6.8
46.0			45.7m x 6.4	6.4			6.4	47.9m x 6.1				6.4		45.7m x 6.4	6.4	6.4	6.3
48.0				6.1			6.1	6.1				6.0		6.0	6.0	6.0	5.9
50.0				5.8			48.6m x 5.9	5.7				5.6		5.6	5.6	48.5m x 5.7	5.5
52.0				5.5				5.4				51.4m x 5.4			5.3		5.2
54.0				53.6m x 5.2				5.1							5.0		4.9
56.0								4.9							54.2m x 4.9		4.6
58.0								56.5m x 4.7									57.0m x 4.4

Post length (m)	51.0									54.0						
Jib length (m)	42.0			45.0			27.0			30.0				33.0		
Post angle	90°	80°	70°	90°	80°	70°	90°	80°	70°	90°	80°	70°	60°	90°	80°	70°
Working radius (m)	90°	80°	70°	90°	80°	70°	90°	80°	70°	90°	80°	70°	60°	90°	80°	70°
8.0							8.3m x 25.0							8.8m x 23.4		
9.0							25.0							23.4		9.3m x 22.2
10.0	10.9m x 17.0						25.0							23.4		22.2
12.0	17.0					11.4m x 15.2	25.0							23.4		22.2
14.0	14.5m x 17.0					15.2	24.5							22.8		15.5m x 22.2
16.0	16.8					15.2	22.3							22.2		21.8
18.0	16.5					18.3m x 16.2	20.2							20.2		20.2
20.0	16.4					14.8	18.3							18.3		18.3
22.0	15.6					14.3	16.8	22.1m x 16.8					16.7	23.1m x 15.9		16.7
24.0	14.8					13.7	15.2	15.2					15.2	15.2		15.2
26.0	13.8	26.7m x 13.3				12.9	13.9	13.9					13.9	13.9		13.9
28.0	12.5	12.5				12.1	12.6	12.6					12.6	12.6		12.6
30.0	11.4	11.4				11.3	28.4m x 12.3	11.5					11.5	11.5		11.5
32.0	10.5	10.5				10.4	10.6	10.6					31.3m x 10.8	10.6		10.6
34.0	9.7	9.7				9.7	9.8	35.3m x 9.4						9.8		9.8
36.0	9.0	9.0				9.0	9.1	9.1						9.1	36.8m x 8.8	34.1m x 9.7
38.0	8.3	8.3				8.3	37.8m x 8.4	8.4						8.4	8.4	8.4
40.0	7.8	7.8	41.7m x 7.3			7.8	7.8	7.8						7.8	7.8	7.8
42.0	7.2	7.2	7.2			7.2	43.2m x 6.9	7.2						40.6m x 7.6	7.2	7.2
44.0	42.5m x 7.0	6.7	6.7			6.7	6.7	6.8						6.8		43.4m x 6.9
46.0		6.3	6.3	45.3m x 6.3		6.2	6.2	6.4	47.4m x 6.1					6.4		6.4
48.0		5.9	5.9			5.8	5.8		46.8m x 6.2					6.0		6.0
50.0		5.4	5.4			5.3	5.3							5.6	49.4m x 5.7	5.6
52.0		51.3m x 5.2	5.1			5.0	5.0							5.3		5.3
54.0			4.8			4.7	4.7							5.1		5.1
56.0			4.5			54.2m x 4.6	4.4							55.2m x 5.0		4.9
58.0			4.2				4.1									4.7
60.0			59.8m x 3.9				3.8									
62.0							3.6									
64.0							62.7m x 3.5									

# Luffing Jib Crane

CC11500

## ■ Jib rated lifting loads (64 ton counterweight)

(Unit: metric ton)

Post length (m)		36.0						39.0			42.0			45.0			48.0		
Jib length (m)		36.0		39.0		42.0		45.0		48.0		36.0		39.0		42.0		45.0	
Working radius (m)	Post angle	90°	80°	70°	90°	80°	70°	90°	80°	70°	90°	80°	70°	90°	80°	70°	90°	80°	70°
	9.0	9.8m x 20.5																	
10.0	20.5				10.3m x 18.8			10.9m x 17.0			11.4m x 15.2			11.9m x 14.0					
12.0	20.5				18.8			17.0			15.2			14.0					
14.0	20.5				18.8			14.5m x 17.0			15.2			14.0					
16.0	20.1				18.8			16.8			15.2			14.0					
18.0	19.6				18.8			16.5			18.3m x 15.2			14.0					
20.0	18.2				17.7			16.4			14.8			13.4					
22.0	16.6				16.5			15.6			14.3			12.6					
24.0	15.1	25.2m x 14.4			15.1			14.8			13.7			12.0					
26.0	13.8	13.8			13.8	26.2m x 13.7		13.8	27.2m x 13.0		12.9			11.5					
28.0	12.5	12.5			12.5	12.5		12.5	12.5		12.1	28.2m x 12.0		11.0	29.3m x 10.6				
30.0	11.5	11.5			11.5	11.5		11.4	11.4		11.3	11.3		10.4	10.4				
32.0	10.6	10.6			10.6	10.6		10.5	10.5		10.4	10.4		9.9	9.9				
34.0	9.8	9.8			9.8	9.8		9.7	9.7		9.7	9.7		9.4	9.4				
36.0	9.1	9.1			9.1	9.1		9.0	9.0		9.0	9.0		8.9	8.9				
38.0	36.9m x 8.7	8.4	39.8m x 7.9		8.4	8.4		8.3	8.3		8.3	8.3		8.3	8.3				
40.0		7.8	7.8	39.7m x 7.8	7.8	41.3m x 7.4		7.8	7.8		7.8	7.8		7.8	7.8				
42.0		7.2	7.2		7.2	7.2		7.2	7.2	42.8m x 7.0	7.2	7.2		7.2	7.2				
44.0		6.8	6.8		6.8	6.8		6.8	6.8	42.5m x 7.0	6.7	6.7		6.7	6.7	44.3m x 6.6	6.7	6.7	45.8m x 6.2
46.0		6.4	6.4		6.3	6.3		6.3	6.3		6.3	6.3	45.3m x 6.3	6.2	6.2	6.1	6.1	6.1	
48.0		46.2m x 6.3	6.0		5.9	5.9		5.9	5.9		5.9	5.9		5.8	5.8	5.8	5.8	5.8	5.8
50.0			5.5		49.1m x 5.7	5.5		5.4	5.4		5.4	5.4		5.3	5.3	48.2m x 5.7	5.3	5.3	5.3
52.0			5.2			5.2		5.1	5.1		5.1	5.1		5.0	5.0			4.9	4.9
54.0			5.0			4.9		4.8	4.8		4.8	4.8		4.7	4.7			4.5	4.5
56.0			55.2m x 4.8			4.6		4.5	4.5		4.5	4.5	54.7m x 4.5	4.3	4.3			4.2	4.2
58.0						4.4		4.2	4.2		4.2	4.2		4.0	4.0			57.6m x 4.0	3.9
60.0								3.9	3.9		3.9	3.9		3.7	3.7				3.7
62.0								60.8m x 3.8	3.5		3.5	3.5		3.5	3.5				3.5
64.0													63.7m x 3.2						3.2
66.0																			3.0
68.0																			66.5m x 2.9

Post length (m)		27.0						30.0				33.0			36.0			39.0				
Jib length (m)		27.0		30.0		33.0		36.0		39.0		27.0		30.0		33.0		36.0		39.0		
Working radius (m)	Post angle	90°	80°	70°	60°	90°	80°	70°	60°	90°	80°	70°	90°	80°	70°	90°	80°	70°	90°	80°	70°	
	8.0	8.3m x 25.0					8.8m x 23.4															
9.0	25.0					23.4				9.3m x 22.2			9.8m x 20.5									
10.0	25.0					23.4				22.2			20.5							10.3m x 18.8		
12.0	13.6m x 25.0					23.4				22.2			20.5							18.8		
14.0	24.5					22.8				15.5m x 22.2			20.5							18.8		
16.0	22.3					22.2				21.8			20.1							18.8		
18.0	20.2					20.2				20.2			19.6							18.1m x 18.8		
20.0	18.3					18.3				18.3			18.2							17.7		
22.0	16.8	22.6m x 16.2				16.7	23.6m x 15.5			16.7			16.6							16.5		
24.0	15.2	15.2				15.2	15.2			15.2	24.7m x 14.8		15.1	25.7m x 14.0					15.1			
26.0	13.9	13.9				13.9	13.9			13.9	13.9		13.8	13.8					13.8	26.7m x 13.3		
28.0	12.6	12.6				12.6	12.6			12.6	12.6		12.5	12.5					12.5	12.5		
30.0	28.4m x 12.3	11.5				11.5	11.5			11.5	11.5		11.5	11.5					11.5	11.5		
32.0		10.6				31.3m x 10.8	10.6			10.6	10.6		10.6	10.6					10.6	10.6		
34.0		9.8					9.8			9.8	9.8		9.8	9.8					9.8	9.8		
36.0		9.1	36.3m x 9.0				9.1	37.8m x 8.9		34.1m x 9.7	9.1		9.1	9.1					9.1	9.1		
38.0		8.4	8.4				8.4	8.4		8.4	8.4		8.4	39.3m x 8.0	36.9m x 8.7				8.4	8.4		
40.0		38.3m x 8.2	7.8				7.8	7.8		7.8	7.8		7.8	7.8					40.8m x 7.5	39.7m x 7.8		7.8
42.0			7.2				41.1m x 7.4	7.2		7.2	7.2		7.2	7.2					7.2	7.2		42.3m x 7.2
44.0			6.8					6.8		6.8	6.8		6.7	6.7					6.7	6.7		
46.0			6.2					6.2		6.2	6.2		6.2	6.2					6.2	6.2		
48.0			47.8m x 5.8		48.9m x 5.6			5.8		5.8	5.8		5.8	46.8m x 6.0					5.8	5.8		5.8
50.0					5.4			5.4		50.9m x 5.2			5.3						5.3	49.6m x 5.3		5.3
52.0					5.0			50.7m x 5.2		5.0			5.0						5.0			5.0
54.0					4.8					4.8			53.5m x 4.8						4.7			4.7
56.0					4.5					4.3									4.3			4.3
58.0					56.7m x 4.4					4.1									56.3m x 4.2			4.0
60.0										59.5m x 3.9												59.1m x 3.8

# Luffing Jib Crane

CCH1500

## Jib rated lifting loads (64 ton counterweight)

(Unit:metric ton)

Post length (m)	57.0											
Jib length (m)	42.0			45.0			48.0			51.0		
Post angle Working radius (m)	90°	80°	70°	90°	80°	70°	90°	80°	70°	90°	80°	70°
10.0	10.9m x 17.0			11.4m x 15.2			11.9m x 14.0					
12.0	17.0			15.2			14.0			12.4m x 13.1		
14.0	14.5m x 17.0			15.2			14.0			13.1		
16.0	16.8			15.2			14.0			13.1		
18.0	16.5			18.3m x 15.2			14.0			13.1		
20.0	16.4			14.8			13.4			12.8		
22.0	15.6			14.3			12.6			12.4		
24.0	14.8			13.7			12.0			12.0		
26.0	13.8	27.7m x 12.7		12.9			11.5			11.5		
28.0	12.5	12.5		12.1	28.8m x 11.8		11.0	29.8m x 10.4		11.0		
30.0	11.4	11.4		11.3	11.3		10.4	10.4		10.4	30.8m x 10.2	
32.0	10.5	10.5		10.4	10.4		9.9	9.9		9.8	9.9	
34.0	9.7	9.7		9.7	9.7		9.4	9.4		9.1	9.4	
36.0	9.0	9.0		9.0	9.0		8.9	8.9		8.5	8.9	
38.0	8.3	8.3		8.3	8.3		8.3	8.3		7.8	8.3	
40.0	7.8	7.8		7.8	7.8		7.8	7.8		7.3	7.8	
42.0	7.2	7.2	43.8m x 6.7	7.2	7.2		7.2	7.2		6.7	7.2	
44.0	42.5m x 7.0	6.7	6.7	6.7	6.7	45.3m x 6.3	6.7	6.7		6.2	6.5	
46.0		6.2	6.2	45.3m x 6.3	6.2	6.2	6.1	6.1	46.8m x 6.0	5.7	6.1	
48.0		5.8	5.8		5.8	5.8	5.8	5.8	5.8	5.2	5.7	48.3m x 5.6
50.0		5.3	5.3		5.3	5.3	48.2m x 5.7	5.3	5.3	4.7	5.2	5.2
52.0		5.0	5.0		5.0	5.0		4.9	4.9	51.0m x 4.4	4.8	4.8
54.0		52.4m x 4.8	4.7		4.7	4.7		4.5	4.5		4.4	4.4
56.0			4.3		55.2m x 4.4	4.3		4.2	4.2		4.1	4.1
58.0			4.0			4.0		3.9	3.9		3.8	3.8
60.0			3.7			3.7			3.7		3.5	3.5
62.0			3.5			3.5			3.5		60.8m x 3.4	3.3
64.0						3.2			3.2			3.1
66.0						64.7m x 3.1			3.0			2.9
68.0									67.5m x 2.8			2.7
70.0												2.6
72.0												70.3m x 2.5

### Notes

- Above rated loads are based on the machine being operated on firm level ground, within 78% of tipping load at any point of 360° around the machine with forward stability factor of over 1.15.
- The weight of hook blocks must be considered to be a part of the loads.  
50ton hook block...1.00ton 30ton hook block...1.00ton  
25ton hook block...1.00ton 13.5ton hook block...0.60ton
- Depending on the number of part lines, rated load is limited as follows:  
1-part line.....up to 13.5ton  
2-part line.....up to 25.0ton
- The angle of the center line of the post and the center line of the jib (offset angle) must not be less than 10°.
- The angle of the center line of the jib to level ground (tower jib angle) must not be less than 20° under loaded conditions.
- The auxiliary jib can be attached to all jibs(27m-51m).
- When attaching the auxiliary jib, the jib rated loads must be reduced by 0.5t from the figure shown in the above table.
- The rated loads of the auxiliary jib is equivalent to that of jib attached but to be reduced by 0.5ton. The maximum rated load of the auxiliary jib is 13.5ton.

# Luffing Tower Crane

CCH1500

## ■ Specifications

Max. Lifting capacity x working radius		25.0metric tons x 13.6m
Max. lift above ground level		102.0m(57m post+51m jib)
Rope speed	Main drum hoist/lowering	* 110~55/55~28m/min
	Post hoist/lowering	* 32~14m/min x 2
	Jib hoist/lowering	* 110~55/55~28m/min
Part line	Main drum	Hook block capacity x Part line
	hoist	Hook block capacity x Part line
	Post hoist	18
	Jib hoist	8
Counterweight		64ton
Total operating weight (with 57m post+51m jib+25ton hook)		179ton
Average ground bearing pressure		99kPa(1.01kg/cm <sup>2</sup> )

Note: The rope speed changes depending on the load.

## ■ Combination of post and Jib

Jib length (m)	27	30	33	36	39	42	45	48	51
36	⊗	⊗	⊗	⊗	⊗	⊗	⊗	⊗	⊗
39	⊗	⊗	⊗	⊗	⊗	⊗	⊗	⊗	⊗
42	⊗	⊗	⊗	⊗	⊗	⊗	⊗	⊗	⊗
45	⊗	⊗	⊗	⊗	⊗	⊗	⊗	⊗	⊗
48	⊗	⊗	⊗	⊗	⊗	⊗	⊗	⊗	⊗
51	⊗	⊗	⊗	⊗	⊗	⊗	⊗	⊗	⊗
54	⊗	⊗	⊗	⊗	⊗	⊗	⊗	⊗	⊗
57	⊗	⊗	⊗	⊗	⊗	⊗	⊗	⊗	⊗

Note: ●:Possible combinations

## ■ Wire Rope

Place of use	Rope diameter (mm)	Guaranteed strength (t)	Rope type
Hook hoist	⊗ φ 28	70.2	P•S(19)+39 x P7
Jib hoist	⊗ φ 26	49.9	IWRC6 x WS(31)
Post hoist	⊗ φ 22	36.3	IWRC6 x WS(31)
Jib suspension	⊗ φ 34	104.0	IWRC6 x P•WS(36)
Strut suspension	⊗ φ 34	104.0	IWRC6 x P•WS(36)
Post suspension	⊗ φ 34	104.0	IWRC6 x P•WS(36)

## ■ Luffing tower crane post composition

The following table shows standard combinations of post lengths when ordering the maximum post length specification (57m).

Post length (m)	36.0	39.0	42.0	45.0	48.0	51.0	54.0	57.0
Post composition								
7.5m inner	1	1	1	1	1	1	1	1
⊗ 3.0m insert	1	1	1	1	1	1	1	1
⊗ 3.0m insert	1	1	1	1	1	1	1	1
3.0m insert	—	—	1	—	—	1	—	1
6.0m insert	1	—	—	1	—	—	1	1
9.0m insert	1	2	2	2	3	3	3	3
1.5m outer	1	1	1	1	1	1	1	1

Notes:

(\*1) 9.0m and 3.0m insert posts with the \* mark include guardrails for the middle equalizer.

(\*2) A pendant cable for extending the jib is also included with the 3.0m-9.0m insert posts.

## ● Jib composition

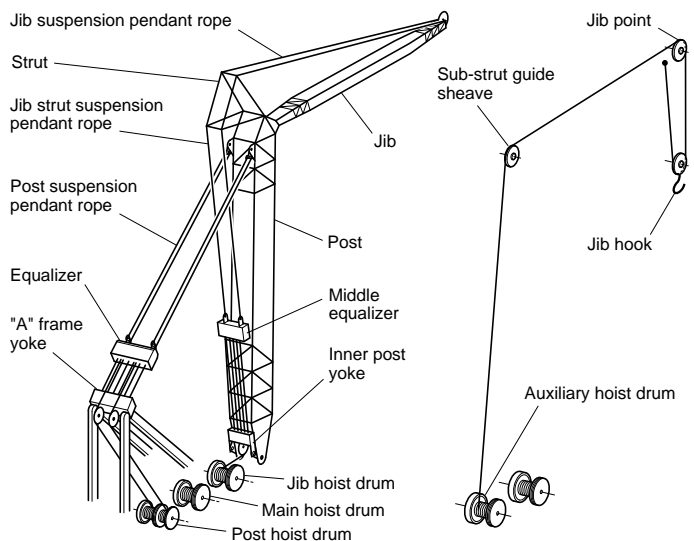
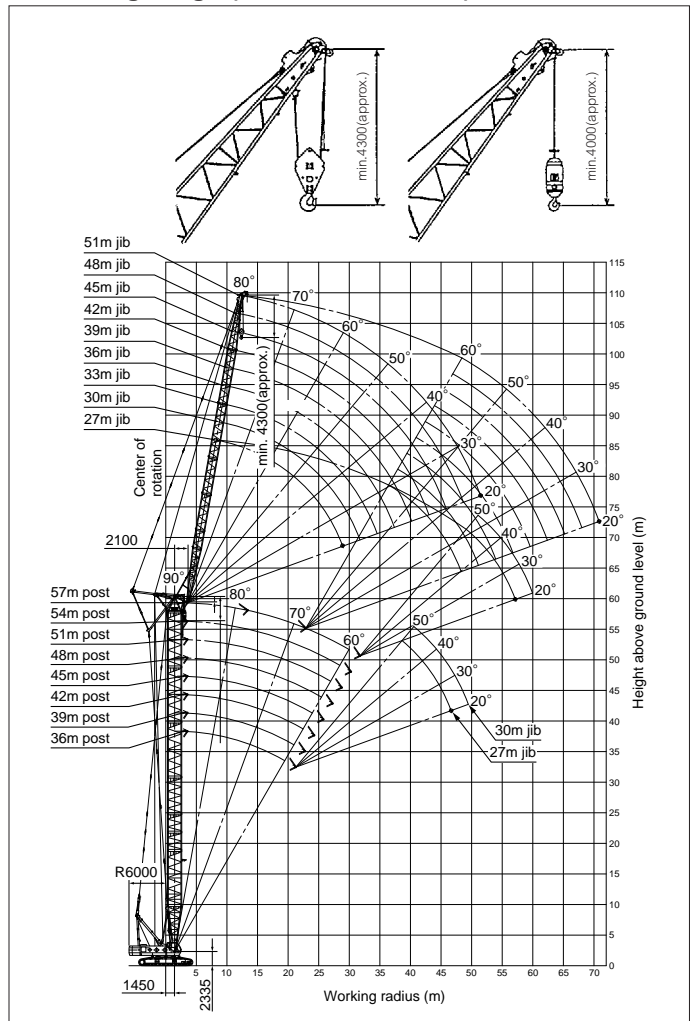
The following table shows standard combinations of jib lengths when ordering the maximum jib length specification.

Jib length (m)	27	30	33	36	39	42	45	48	51
Jib composition									
⊗ 9.0m inner	1	1	1	1	1	1	1	1	1
⊗ 3.0m insert	—	1	—	—	1	—	1	—	1
6.0m insert	—	—	1	—	—	1	1	2	2
9.0m insert	1	1	1	2	2	2	2	2	2
9.0m outer	1	1	1	1	1	1	1	1	1

Notes on 1m Auxiliary Jib

1. 1m Auxiliary Jib is fitted on the main boom length of 18 meter and up to 81 meter.
2. 1m Auxiliary Jib is to be used only for crane operation.

## ■ Working range (No load condition)



# Luffing Tower Crane

**CCH1500**

## ■ Jib rated lifting loads (64 ton counterweight)

(Unit: metric ton)

Post length (m)	36.0								39.0											
Jib length (m)	27.0				30.0				27.0				30.0				33.0			
Post angle	90°	80°	70°	60°	90°	80°	70°	60°	90°	80°	70°	60°	90°	80°	70°	60°	90°	80°	70°	
Working radius (m)	90°	80°	70°	60°	90°	80°	70°	60°	90°	80°	70°	60°	90°	80°	70°	60°	90°	80°	70°	
8.0	8.3m x 25.0				8.8m x 23.4				8.3m x 25.0				8.8m x 23.4							
9.0	25.0				23.4				25.0				23.4				9.3m x 22.2			
10.0	25.0				23.4				25.0				23.4				22.2			
12.0	13.6m x 25.0				23.4				13.6m x 25.0				23.4				22.2			
14.0	24.5				22.8				24.5				22.8				15.5m x 22.2			
16.0	22.3				22.2				22.3				22.2				21.8			
18.0	20.2	19.0m x 19.3			20.2				20.2	19.5m x 18.9			20.2				20.2			
20.0	18.3	18.3			18.3	18.3			18.3	18.3			18.3	20.5m x 18.0			18.3	21.5m x 17.1		
22.0	16.8	16.8			16.7	16.7			16.8	16.8			16.7	16.7			16.7	16.7		
24.0	15.2	15.2			15.2	15.2			15.2	15.2			15.2	15.2			15.2	15.2		
26.0	13.9	13.9			13.9	13.9			13.9	13.9			13.9	13.9			13.9	13.9		
28.0	12.6	12.6	29.1m x 12.0		12.6	12.6			12.6	12.6			12.6	12.6			12.6	12.6		
30.0	28.4m x 12.3	11.5	11.5		11.5	11.5	30.6m x 11.2		28.4m x 12.3	11.5	30.1m x 11.5		11.5	11.5	31.6m x 10.8		11.5	11.5		
32.0		10.6	10.6		31.3m x 10.8	10.6	10.6			10.6	10.6		31.3m x 10.8	10.6	10.6		10.6	10.6	33.1m x 10.2	
34.0		9.8	9.8			9.8	9.8			9.8	9.8			9.8	9.8		9.8	9.8		
36.0		34.7m x 9.5	9.1			9.1	9.1			35.2m x 9.3	9.1			9.1	9.1		34.1m x 9.7	9.1	9.1	
38.0			8.4	38.4m x 8.3		37.5m x 8.5	8.4				8.4	39.9m x 7.8		8.4	8.4			8.4	8.4	
40.0			7.8	7.8			7.8	40.4m x 7.7			7.8	7.8		7.8	7.8		41.9m x 7.3		7.8	
42.0			40.6m x 7.6	7.3			7.3	7.3			41.6m x 7.3	7.3		7.3	7.3		40.8m x 7.6		7.3	
44.0				6.8			43.4m x 6.9	6.8			6.8	6.8		6.8	6.8		6.8	6.8	6.8	
46.0				6.4				6.4			6.4	6.4			44.4m x 6.7		6.4	6.4	6.4	
48.0				46.1m x 6.3				6.1			47.6m x 6.1						6.1		47.3m x 6.1	
50.0								49.0m x 5.9									5.7			
52.0																	50.5m x 5.6			

Post length (m)	42.0												45.0							
Jib length (m)	27.0				30.0				33.0				36.0				27.0			
Post angle	90°	80°	70°	60°	90°	80°	70°	60°	90°	80°	70°	60°	90°	80°	70°	60°	90°	80°	70°	60°
Working radius (m)	90°	80°	70°	60°	90°	80°	70°	60°	90°	80°	70°	60°	90°	80°	70°	60°	90°	80°	70°	60°
8.0	8.3m x 25.0				8.8m x 23.4												8.3m x 25.0			
9.0	25.0				23.4					9.3m x 22.2			9.8m x 20.5				25.0			
10.0	25.0				23.4					22.2			20.5				25.0			
12.0	13.6m x 25.0				23.4					22.2			20.5				13.6m x 25.0			
14.0	24.5				22.8					15.5m x 22.2			20.5				24.5			
16.0	22.3				22.2					21.8			20.1				22.3			
18.0	20.2				20.2					20.2			19.6				20.2			
20.0	18.3	18.3			18.3	21.0m x 17.5				18.3			18.2				18.3	20.5m x 17.9		
22.0	16.8	16.8			16.7	16.7				16.7	22.1m x 16.7		16.6	23.1m x 15.8			16.8	16.8		
24.0	15.2	15.2			15.2	15.2				15.2	15.2		15.1	15.1			15.2	15.2		
26.0	13.9	13.9			13.9	13.9				13.9	13.9		13.8	13.8			13.9	13.9		
28.0	12.6	12.6			12.6	12.6				12.6	12.6		12.5	12.5			12.6	12.6		
30.0	28.4m x 12.3	11.5	31.2m x 11.0		11.5	11.5				11.5	11.5		11.5	11.5			28.4m x 12.3	11.5		
32.0		10.6	10.6		31.3m x 10.8	10.6	32.7m x 10.4			10.6	10.6		10.6	10.6			10.6	10.6	32.2m x 10.5	
34.0		9.8	9.8			9.8	9.8			9.8	9.8	34.2m x 9.8		9.8	9.8	35.7m x 9.2		9.8	9.8	
36.0		35.7m x 9.2	9.1			9.1	9.1			34.1m x 9.7	9.1	9.1		9.1	9.1		9.1	9.1		
38.0			8.4			8.4	8.4				8.4	8.4	36.9m x 8.7		8.4	8.4		36.2m x 9.0		8.4
40.0			7.8	41.4m x 7.4		38.5m x 8.2	7.8				7.8	7.8		7.8	7.8			7.8		
42.0			7.3	7.3			7.3	43.4m x 7.0			41.3m x 7.4	7.3		7.3	7.3			7.3	42.9m x 7.0	
44.0			42.7m x 7.0	6.8			6.8	6.8			6.8	6.8		6.8	6.8			43.7m x 6.8		6.8
46.0				6.4			45.5m x 6.5	6.4			6.4	6.4		44.1m x 6.7	6.4			6.4		6.4
48.0				6.1				6.1			6.0				6.0			6.0		6.1
50.0				49.1m x 5.9				5.7					48.3m x 5.9				5.6			5.8
52.0								5.4									51.1m x 5.4			50.6m x 5.7



# Luffing Tower Crane

**CC11500**

## ■ Jib rated lifting loads (64ton counterweight)

(Unit: metric ton)

Post length (m)	45.0															48.0			
Jib length (m)	30.0				33.0			36.0			39.0			27.0					
Post angle	90°	80°	70°	60°	90°	80°	70°	90°	80°	70°	90°	80°	70°	90°	80°	70°	60°		
Working radius (m)	90°	80°	70°	60°	90°	80°	70°	90°	80°	70°	90°	80°	70°	90°	80°	70°	60°		
8.0	8.8m x 23.4																8.3m x 25.0		
9.0	23.4				9.3m x 22.2			9.8m x 20.5									25.0		
10.0	23.4				22.2			20.5						10.3m x 18.8			25.0		
12.0	23.4				22.2			20.5						18.8			13.6m x 25.0		
14.0	22.8				15.5m x 22.2			20.5						18.8			24.5		
16.0	22.2				21.8			20.1						18.8			22.3		
18.0	20.2				20.2			19.6						18.8			20.2		
20.0	18.3	21.6m x 17.1			18.3			18.2						17.7			18.3	21.0m x 17.5	
22.0	16.7	16.7			16.7	22.6m x 16.3		16.6	23.6m x 15.4					16.5			16.8	16.8	
24.0	15.2	15.2			15.2	15.2		15.1	15.1					15.1	24.6m x 14.7		15.2	15.2	
26.0	13.9	13.9			13.9	13.9		13.8	13.8					13.8	13.8		13.9	13.9	
28.0	12.6	12.6			12.6	12.6		12.5	12.5					12.5	12.5		12.6	12.6	
30.0	11.5	11.5			11.5	11.5		11.5	11.5					11.5	11.5		28.4m x 12.3	11.5	
32.0	31.3m x 10.8	10.6	33.7m x 10.0		10.6	10.6		10.6	10.6					10.6	10.6		10.6	33.2m x 10.1	
34.0		9.8	9.8		9.8	9.8	35.2m x 9.4	9.8	9.8					9.8	9.8		9.8	9.8	
36.0		9.1	9.1		34.1m x 9.7	9.1	9.1	9.1	9.1	36.7m x 8.8				9.1	9.1		9.1	9.1	
38.0		8.4	8.4		8.4	8.4	8.4	36.9m x 8.7	8.4	8.4	8.4	8.4	8.4	38.2m x 8.4			36.7m x 8.8	8.4	
40.0		39.0m x 8.0	7.8		7.8	7.8	7.8	7.8	7.8	7.8	39.7m x 7.8	7.8	7.8	7.8	7.8		7.8	7.8	
42.0			7.3		41.8m x 7.3	7.3	7.3	7.3	7.3	7.3	7.3	7.3	7.3	7.2	7.2		7.3	7.3	
44.0			6.8	44.9m x 6.6	6.8	6.8	6.8	6.8	6.8	6.8	6.8	6.8	6.8	6.8	6.8		6.8	44.4m x 6.6	
46.0			6.4	6.4	6.4	6.4	6.4	6.4	6.4	44.7m x 6.6	6.4	6.4	6.4	6.3	6.3		44.7m x 6.5	6.4	
48.0			46.5m x 6.3	6.1	6.1	6.1	6.0	6.0	6.0	6.0	6.0	6.0	6.0	47.5m x 6.0	5.9			6.1	
50.0				5.7	5.7	5.7	49.3m x 5.7	5.7	5.7	5.7	5.7	5.7	5.7	5.7	5.7	5.5		5.8	
52.0				5.4	5.4	5.4	5.4	5.4	5.4	5.4	5.4	5.4	5.4	5.4	5.4	5.2		5.5	
54.0				53.5m x 5.2	5.2	5.2	5.2	5.2	5.2	52.1m x 5.2	5.2	5.2	5.2	5.2	5.2	4.9		52.1m x 5.4	
56.0														55.0m x 4.7	4.7				

Post length (m)	48.0																		
Jib length (m)	30.0				33.0			36.0			39.0			42.0					
Post angle	90°	80°	70°	60°	90°	80°	70°	90°	80°	70°	90°	80°	70°	90°	80°	70°			
Working radius (m)	90°	80°	70°	60°	90°	80°	70°	90°	80°	70°	90°	80°	70°	90°	80°	70°			
8.0	8.8m x 23.4																		
9.0	23.4				9.3m x 22.2			9.8m x 20.5											
10.0	23.4				22.2			20.5						10.3m x 18.8			10.9m x 17.0		
12.0	23.4				22.2			20.5						18.8			17.0		
14.0	22.8				15.5m x 22.2			20.5						18.8			14.5m x 17.0		
16.0	22.2				21.8			20.1						18.8			16.8		
18.0	20.2				20.2			19.6						18.8			16.5		
20.0	18.3				18.3			18.2						17.7			16.4		
22.0	16.7	22.1m x 16.7			16.7	23.1m x 15.9		16.6						16.5			15.6		
24.0	15.2	15.2			15.2	15.2		15.1	24.1m x 15.1					15.1	25.1m x 14.4		14.8		
26.0	13.9	13.9			13.9	13.9		13.8	13.8					13.8	13.8		13.8	26.2m x 13.7	
28.0	12.6	12.6			12.6	12.6		12.5	12.5					12.5	12.5		12.5	12.5	
30.0	11.5	11.5			11.5	11.5		11.5	11.5					11.5	11.5		11.4	11.4	
32.0	31.3m x 10.8	10.6			10.6	10.6		10.6	10.6					10.6	10.6		10.5	10.5	
34.0		9.8	34.7m x 9.6		9.8	9.8		9.8	9.8					9.8	9.8		9.7	9.7	
36.0		9.1	9.1		34.1m x 9.7	9.1	36.2m x 9.0	9.1	9.1	37.7m x 8.5				9.1	9.1		9.0	9.0	
38.0		8.4	8.4		8.4	8.4	8.4	36.9m x 8.7	8.4	8.4	8.4	8.4	8.4	39.2m x 8.0			8.3	8.3	
40.0		39.5m x 7.9	7.8		7.8	7.8	7.8	7.8	7.8	7.8	39.7m x 7.8	7.8	7.8	7.8	7.8		7.8	40.7m x 7.6	
42.0			7.3		42.4m x 7.2	7.3	7.3	7.3	7.3	7.3	7.3	7.3	7.3	7.2	7.2		7.2	7.2	
44.0			6.8		42.4m x 7.2	6.8	6.8	6.8	6.8	6.8	6.8	6.8	6.8	6.8	6.8		42.5m x 7.0	6.7	6.7
46.0			6.4	46.4m x 6.3	6.4	6.4	6.4	6.4	6.4	45.2m x 6.5	6.4	6.4	6.4	6.3	6.3		6.3	6.3	
48.0			47.5m x 6.1	6.1	6.1	6.1	6.0	6.0	6.0	6.0	6.0	6.0	6.0	5.9	5.9		5.9	5.9	
50.0				5.7	5.7	5.7	5.7	5.7	5.7	5.7	5.7	5.7	5.7	5.7	5.7		5.5	5.5	
52.0				5.4	5.4	5.4	5.4	5.4	5.4	5.4	5.4	5.4	5.4	5.4	5.4		5.2	5.2	50.8m x 5.3
54.0				5.1	5.1	5.1	5.1	5.1	5.1	5.1	5.1	5.1	5.1	5.1	5.1		4.9	4.9	
56.0				55.0m x 5.0	5.0	5.0	5.0	5.0	5.0	5.0	5.0	5.0	5.0	5.0	5.0		4.6	4.6	
58.0																			4.3
60.0																			58.8m x 4.2

# Luffing Tower Crane

**CCH1500**

## ■ Jib rated lifting loads (64 ton counterweight)

(Unit: metric ton)

Post length (m)	51.0																	
Jib length (m)	27.0				30.0				33.0				36.0			39.0		
Post angle	90°	80°	70°	60°	90°	80°	70°	60°	90°	80°	70°	60°	90°	80°	70°	90°	80°	70°
Working radius (m)	90°	80°	70°	60°	90°	80°	70°	60°	90°	80°	70°	60°	90°	80°	70°	90°	80°	70°
8.0	8.3m x 25.0				8.8m x 23.4													
9.0	25.0				23.4							9.3m x 22.2			9.8m x 20.5			
10.0	25.0				23.4							22.2			20.5			10.3m x 18.8
12.0	13.6m x 25.0				23.4							22.2			20.5			18.8
14.0	24.5				22.8							15.5m x 22.2			20.5			18.8
16.0	22.3				22.2							21.8			20.1			18.8
18.0	20.2				20.2							20.2			19.6			18.8
20.0	18.3	21.6m x 17.1			18.3							18.3			18.2			17.7
22.0	16.8	16.8			16.7	22.6m x 16.3						16.7	23.6m x 15.5		16.6			16.5
24.0	15.2	15.2			15.2	15.2						15.2	15.2		15.1	24.6m x 14.7		15.1
26.0	13.9	13.9			13.9	13.9						13.9	13.9		13.8	13.8		13.8
28.0	12.6	12.6			12.6	12.6						12.6	12.6		12.5	12.5		12.5
30.0	28.4m x 12.3	11.5			11.5	11.5						11.5	11.5		11.5	11.5		11.5
32.0		10.6			31.3m x 10.8	10.6						10.6	10.6		10.6	10.6		10.6
34.0		9.8	34.2m x 9.7			9.8	35.7m x 9.2					9.8	9.8		9.8	9.8		9.8
36.0		9.1	9.1			9.1	9.1					34.1m x 9.7	9.1	37.2m x 8.7	9.1	9.1		9.1
38.0		37.2m x 8.6	8.4			8.4	8.4					8.4	8.4	36.9m x 8.7	8.4	38.7m x 8.2	8.4	8.4
40.0			7.8			7.8	7.8					7.8	7.8		7.8	7.8	39.7m x 7.8	7.8
42.0			7.3			40.1m x 7.7	7.3					7.3	7.3		7.3	7.3		7.2
44.0			6.8	45.9m x 6.4			6.8					42.9m x 7.0	6.8		6.8	6.8		6.8
46.0			45.7m x 6.4	6.4			6.4	47.9m x 6.1				6.4		45.7m x 6.4	6.4	6.4		6.3
48.0				6.1			6.1	6.1				6.0			6.0	6.0		5.9
50.0				5.8			48.6m x 5.9	5.7				5.6			5.6	5.6	48.5m x 5.7	5.5
52.0				5.5				5.4				51.4m x 5.4			5.3			5.2
54.0				53.6m x 5.2				5.1							5.0			4.9
56.0								4.9							54.2m x 4.9			4.6
58.0								56.5m x 4.7										57.0m x 4.4

Post length (m)	51.0									54.0								
Jib length (m)	42.0			45.0			27.0			30.0			33.0					
Post angle	90°	80°	70°	90°	80°	70°	90°	80°	70°	90°	80°	70°	90°	80°	70°			
Working radius (m)	90°	80°	70°	90°	80°	70°	90°	80°	70°	90°	80°	70°	90°	80°	70°			
8.0							8.3m x 25.0					8.8m x 23.4						
9.0							25.0					23.4			9.3m x 22.2			
10.0	10.9m x 17.0						25.0					23.4			22.2			
12.0	17.0						13.6m x 25.0					23.4			22.2			
14.0	14.5m x 17.0						24.5					22.8			15.5m x 22.2			
16.0	16.8						22.3					22.2			21.8			
18.0	16.5						18.3m x 16.2					20.2			20.2			
20.0	16.4						14.8					18.3			18.3			
22.0	15.6						14.3					16.8	22.1m x 16.8		16.7			
24.0	14.8						13.7					15.2	15.2		15.2			
26.0	13.8	26.7m x 13.3					12.9	27.7m x 12.2				13.9	13.9		13.9			
28.0	12.5	12.5					12.1	12.1				12.6	12.6		12.6			
30.0	11.4	11.4					11.3	11.3				12.6	12.6		12.6			
32.0	10.5	10.5					10.4	10.4				28.4m x 12.3	11.5		11.5			
34.0	9.7	9.7					9.7	9.7				10.6			10.6			
36.0	9.0	9.0					9.0	9.0				9.8	35.3m x 9.4		9.8			
38.0	8.3	8.3					8.3	8.3				9.1	9.1		9.1			
40.0	7.8	7.8					7.8	7.8				37.8m x 8.4	8.4		8.4			
42.0	7.2	7.2					7.2	7.2				7.8	7.8		7.8			
44.0	42.5m x 7.0	6.7	6.7				6.7	6.7				40.6m x 7.6	7.2		7.2			
46.0		6.3	6.3				6.2	6.2				6.8	6.8		6.8			
48.0		5.9	5.9				45.3m x 6.3	6.2	6.2			6.4	47.4m x 6.1		6.4			
50.0		5.4	5.4				5.8	5.8				46.8m x 6.2	6.0		6.0			
52.0		5.1	5.1				5.3	5.3				5.6	5.6		5.6			
54.0		51.3m x 5.2	5.1				5.0	5.0				49.6m x 5.7	5.6		5.6			
56.0			4.8				4.7	4.7					5.3		5.3			
58.0			4.5				4.7	4.7					5.1		5.1			
60.0			4.2				54.2m x 4.6	4.4					55.2m x 5.0		4.9			
62.0								4.1							4.7			
64.0			59.8m x 3.9					3.8										
								3.6										
								62.7m x 3.5										

# Luffing Tower Crane

CC11500

## Jib rated lifting loads (64 ton counterweight)

(Unit: metric ton)

Post length (m)		36.0						39.0			42.0			45.0			48.0		
Jib length (m)		36.0		39.0		42.0		45.0		48.0		36.0		39.0		42.0		45.0	
Post angle		90°	80°	70°	90°	80°	70°	90°	80°	70°	90°	80°	70°	90°	80°	70°	90°	80°	70°
Working radius (m)		90°	80°	70°	90°	80°	70°	90°	80°	70°	90°	80°	70°	90°	80°	70°	90°	80°	70°
9.0	9.8m x 20.5																		
10.0	20.5				10.3m x 18.8			10.9m x 17.0			11.4m x 15.2			11.9m x 14.0					
12.0	20.5				18.8			17.0			15.2			14.0					
14.0	20.5				18.8			14.5m x 17.0			15.2			14.0					
16.0	20.1				18.8			16.8			15.2			14.0					
18.0	19.6				18.8			16.5			18.3m x 15.2			14.0					
20.0	18.2				17.7			16.4			14.8			13.4					
22.0	16.6				16.5			15.6			14.3			12.6					
24.0	15.1	25.2m x 14.4			15.1			14.8			13.7			12.0					
26.0	13.8	13.8			13.8	26.2m x 13.7		13.8	27.2m x 13.0		12.9			11.5					
28.0	12.5	12.5			12.5	12.5		12.5	12.5		12.1	28.2m x 12.0		11.0	29.3m x 10.6				
30.0	11.5	11.5			11.5	11.5		11.4	11.4		11.3	11.3		10.4	10.4				
32.0	10.6	10.6			10.6	10.6		10.5	10.5		10.4	10.4		9.9	9.9				
34.0	9.8	9.8			9.8	9.8		9.7	9.7		9.7	9.7		9.4	9.4				
36.0	9.1	9.1			9.1	9.1		9.0	9.0		9.0	9.0		8.9	8.9				
38.0	36.9m x 8.7	8.4	39.8m x 7.9		8.4	8.4		8.3	8.3		8.3	8.3		8.3	8.3				
40.0		7.8	7.8	39.7m x 7.8	7.8	41.3m x 7.4		7.8	7.8		7.8	7.8		7.8	7.8				
42.0		7.2	7.2		7.2	7.2		7.2	7.2	42.8m x 7.0	7.2	7.2		7.2	7.2				
44.0		6.8	6.8		6.8	6.8		42.5m x 7.0	6.7	6.7	6.7	6.7	44.3m x 6.6	6.7	6.7	45.8m x 6.2			
46.0		6.4	6.4		6.3	6.3		6.3	6.3	45.3m x 6.3	6.2	6.2	6.1	6.1	6.1	6.1			
48.0		46.2m x 6.3	6.0		5.9	5.9		5.9	5.9		5.8	5.8	5.8	5.8	5.8	5.8			
50.0			5.5		49.1m x 5.7	5.5		5.4	5.4		5.3	5.3	48.2m x 5.7	5.3	5.3	5.3			
52.0			5.2			5.2		5.1	5.1		5.0	5.0		4.9	4.9				
54.0			5.0			4.9		4.8	4.8		4.7	4.7		4.5	4.5				
56.0			55.2m x 4.8			4.6		4.5	4.5		4.4	4.4	54.7m x 4.5	4.3	4.3	4.2			
58.0						4.4		4.2	4.2		4.0	4.0		3.7	3.7	57.6m x 4.0			3.9
60.0								3.9	3.9		3.7	3.7		3.5	3.5				3.7
62.0								60.9m x 3.8	3.8		3.5	3.5		3.2	3.2				3.5
64.0											63.7m x 3.2	3.2		3.0	3.0				3.2
66.0														3.0	3.0				3.0
68.0																			66.5m x 2.9

Post length (m)		27.0						30.0				33.0			36.0			39.0		
Jib length (m)		27.0		30.0		33.0		36.0		39.0		27.0		30.0		33.0		36.0		
Post angle		90°	80°	70°	60°	90°	80°	70°	60°	90°	80°	70°	90°	80°	70°	90°	80°	70°		
Working radius (m)		90°	80°	70°	60°	90°	80°	70°	60°	90°	80°	70°	90°	80°	70°	90°	80°	70°		
8.0	8.3m x 25.0					8.8m x 23.4														
9.0	25.0					23.4				9.3m x 22.2			9.8m x 20.5							
10.0	25.0					23.4				22.2			20.5						10.3m x 18.8	
12.0	13.6m x 25.0					23.4				22.2			20.5						18.8	
14.0	24.5					22.8				15.5m x 22.2			20.5						18.8	
16.0	22.3					22.2				21.8			20.1						18.8	
18.0	20.2					20.2				20.2			19.6						18.1m x 18.8	
20.0	18.3					18.3				18.3			18.2						17.7	
22.0	16.8	22.6m x 16.2				16.7	23.6m x 13.5			16.7			16.6						16.5	
24.0	15.2	15.2				15.2	15.2			15.2	24.7m x 14.8		15.1	25.7m x 14.0					15.1	
26.0	13.9	13.9				13.9	13.9			13.9	13.9		13.8	13.8					13.8	
28.0	12.6	12.6				12.6	12.6			12.6	12.6		12.5	12.5					12.5	
30.0	28.4m x 12.3	11.5				11.5	11.5			11.5	11.5		11.5	11.5					11.5	
32.0		10.6				31.3m x 10.8	10.6			10.6	10.6		10.6	10.6					10.6	
34.0		9.8				9.8				9.8	9.8		9.8	9.8					9.8	
36.0		9.1	36.3m x 9.0			9.1	37.8m x 8.5			34.1m x 9.7	9.1		9.1	9.1					9.1	
38.0		8.4	8.4			8.4	8.4			8.4	39.3m x 8.0		36.9m x 8.7	8.4					8.4	
40.0		38.3m x 8.2	7.8			7.8	7.8			7.8	7.8		7.8	40.8m x 7.5					39.7m x 7.8	
42.0			7.2			41.1m x 7.4	7.2			7.2	7.2		7.2	7.2					7.2	
44.0			6.8				6.8			6.8	6.8		6.7	6.7					6.7	
46.0			6.2				6.2				6.2		6.2	6.2					6.2	
48.0			47.8m x 5.8	48.9m x 5.6			5.8			5.8			46.8m x 6.0	5.8					5.8	
50.0				5.4			5.4			50.9m x 5.2	5.0		5.3	5.3					49.6m x 5.3	
52.0				5.0			5.0			50.7m x 5.2	5.0		5.0	5.0					5.0	
54.0				4.8			4.8				4.8		53.5m x 4.8	4.7					4.7	
56.0				4.5			4.5				4.3			4.3					4.3	
58.0				56.7m x 4.4			4.4				4.1			56.3m x 4.2					4.0	
60.0										59.5m x 3.9	3.9								59.1m x 3.8	

# Luffing Tower Crane

**CCH1500**

## ■ Jib rated lifting loads (64 ton counterweight)

(Unit: metric ton)

Post length (m)	57.0											
Jib length (m)	42.0			45.0			48.0			51.0		
Post angle	90°	80°	70°	90°	80°	70°	90°	80°	70°	90°	80°	70°
Working radius (m)												
10.0	10.9m x 17.0			11.4m x 15.2			11.9m x 14.0					
12.0	17.0			15.2			14.0			12.4m x 13.1		
14.0	14.5m x 17.0			15.2			14.0			13.1		
16.0	16.8			15.2			14.0			13.1		
18.0	16.5			18.3m x 15.2			14.0			13.1		
20.0	16.4			14.8			13.4			12.8		
22.0	15.6			14.3			12.6			12.4		
24.0	14.8			13.7			12.0			12.0		
26.0	13.8	27.7m x 12.7		12.9			11.5			11.5		
28.0	12.5	12.5		12.1	28.8m x 11.8		11.0	29.8m x 10.4		11.0		
30.0	11.4	11.4		11.3	11.3		10.4	10.4		10.4	30.8m x 10.2	
32.0	10.5	10.5		10.4	10.4		9.9	9.9		9.8	9.9	
34.0	9.7	9.7		9.7	9.7		9.4	9.4		9.1	9.4	
36.0	9.0	9.0		9.0	9.0		8.9	8.9		8.5	8.9	
38.0	8.3	8.3		8.3	8.3		8.3	8.3		7.8	8.3	
40.0	7.8	7.8		7.8	7.8		7.8	7.8		7.3	7.8	
42.0	7.2	7.2	43.8m x 6.7	7.2	7.2		7.2	7.2		6.7	7.2	
44.0	42.5m x 7.0	6.7	6.7	6.7	6.7	45.3m x 6.3	6.7	6.7		6.2	6.5	
46.0		6.2	6.2	45.3m x 6.3	6.2	6.2	6.1	6.1	46.8m x 6.0	5.7	6.1	
48.0		5.8	5.8		5.8	5.8	5.8	5.8	5.8	5.2	5.7	48.3m x 5.6
50.0		5.3	5.3		5.3	5.3	48.2m x 5.7	5.3	5.3	4.7	5.2	5.2
52.0		5.0	5.0		5.0	5.0		4.9	4.9	51.0m x 4.4	4.8	4.8
54.0		52.4m x 4.8	4.7		4.7	4.7		4.5	4.5		4.4	4.4
56.0			4.3		55.2m x 4.4	4.3		4.2	4.2		4.1	4.1
58.0			4.0			4.0		3.9	3.9		3.8	3.8
60.0			3.7			3.7				3.7	3.5	3.5
62.0			3.5			3.5				3.5	60.8m x 3.4	3.3
64.0						3.2				3.2		3.1
66.0						64.7m x 3.1				3.0		2.9
68.0										67.5m x 2.8		2.7
70.0												2.6
72.0												70.3m x 2.5

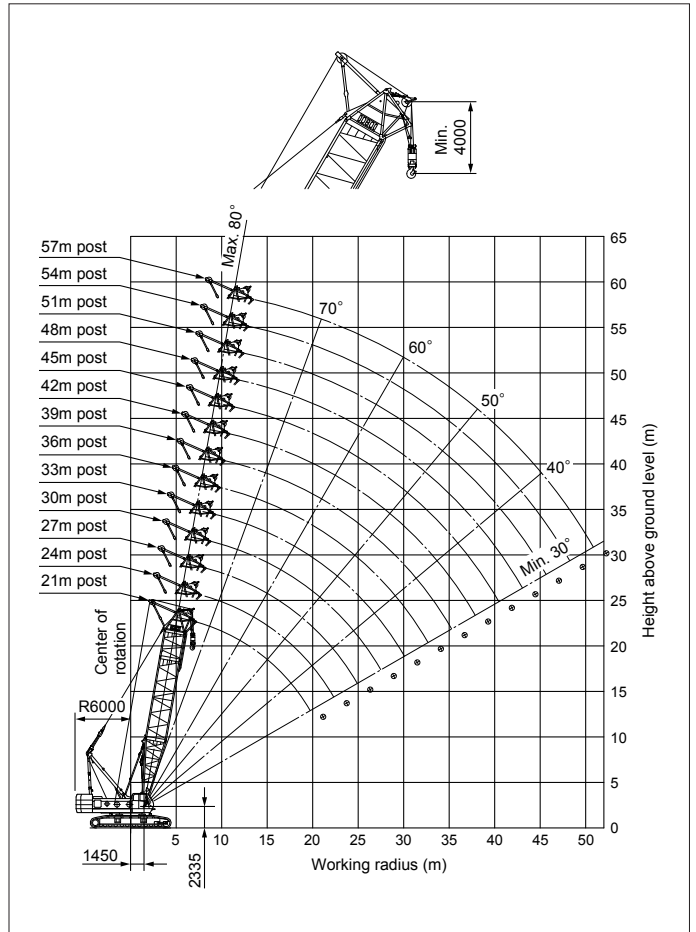
- Notes
- Above rated loads are based on firm level ground, within 78% of tipping load at any point of 360° throughout and with front stability of 1.15 or more.
  - The actual lifting loads must be reduced following hook block (main and jib) and other lifting devices.
    - For tower jib
      - 25ton hook block...1.00ton
      - 13.5ton hook block...0.60ton
  - Depending on the number of part lines, rated load is limited as follows:
    - 1-part line.....up to 13.5ton
    - 2-part line.....up to 25.0ton
  - The angle of the center line of the post and the center line of the jib (offset angle) must not be less than 10°.
  - The angle of the center line of the jib to level ground (tower jib angle) must not be less than 20° under loaded conditions.

## Specifications

Max. lifting capacity x working radius		50.0metric tons x 14.0m
Max. lift above ground level		55.0m (at 57m post)
Rope speed	Main drum hoist/lowering	* 110~55/55~28m/min
	Post hoist/lowering	* 32~14m/min x 2
Part line	Main drum hoist	50ton x 4
	Hook block capacity x Part line	25ton x 2
	Post hoist	18
Counterweight		64.0ton
Total operating weight (with 57m post+50ton hook)		170.0ton
Average ground bearing pressure		94kPa(0.96kg/cm <sup>2</sup> )

Note: The rope speed changes depending on the load.

## Working range (No load condition)



### Notes

- Above rated loads are based on firm level ground, within 78% of tipping load at any point 360° throughout and with front stability of 1.15 or more.
- Working radius is horizontal distance from center of rotation to a vertical line through the center of gravity of the load.
- The actual lifting loads must be reduced following hook block and other lifting devices.  
 50ton hook block.....1.00ton    30ton hook block.....1.00ton  
 13.5ton hook block.....0.6ton
- Depending on the number of part lines, rated lifting load is limited as follows:  
 2Part line.....up to 25.0ton  
 4Part line.....up to 50.0ton

## Post rated lifting loads (64ton counterweight)

(Unit:metric ton)

Boom length (m) \ Working radius (m)	21.0	24.0	27.0	30.0	33.0	36.0	39.0	42.0	45.0	48.0	51.0	54.0	57.0	
6.0	6.9m x 50.0													
7.0	50.0	7.4m x 50.0	7.9m x 50.0											
8.0	50.0	50.0	50.0	8.4m x 50.0										
9.0	50.0	50.0	50.0	50.0	9.0m x 50.0	9.5m x 50.0								
10.0	50.0	50.0	50.0	50.0	50.0	50.0	10.0m x 50.0	10.5m x 50.0	11.0m x 50.0	11.6m x 50.0				
12.0	50.0	50.0	50.0	50.0	50.0	50.0	13.9m x 50.0	13.9m x 50.0	13.9m x 50.0	13.8m x 50.0	13.8m x 50.0	12.1m x 50.0	12.6m x 50.0	13.1m x 50.0
14.0	50.0	50.0	50.0	50.0	50.0	49.9	49.8	49.7	49.5	49.4	49.3	49.1	49.0	49.0
16.0	41.9	41.8	41.6	41.5	41.4	41.2	41.1	41.0	40.8	40.7	40.5	40.4	40.3	40.3
18.0	35.6	35.4	35.3	35.1	35.0	34.9	34.7	34.6	34.4	34.3	34.2	34.0	33.9	33.9
20.0	30.7	30.6	30.4	30.3	30.2	30.0	29.9	29.7	29.6	29.4	29.3	29.2	29.0	29.0
22.0	21.3m x 28.2	26.8	26.6	26.5	26.3	26.2	26.0	25.9	25.7	25.6	25.5	25.3	25.2	25.2
24.0		23.9m x 23.7	23.6	23.4	23.3	23.1	23.0	22.8	22.7	22.5	22.4	22.2	22.1	22.1
26.0			21.0	20.9	20.7	20.5	20.4	20.2	20.1	19.9	19.8	19.6	19.5	19.5
28.0				26.5m x 20.4	18.7	18.6	18.4	18.3	18.1	17.9	17.8	17.6	17.5	17.3
30.0					29.1m x 17.7	16.7	16.6	16.4	16.3	16.1	16.0	15.8	15.7	15.5
32.0						31.7m x 15.4	15.0	14.9	14.7	14.5	14.4	14.2	14.1	13.9
34.0							13.6	13.5	13.3	13.2	13.0	12.9	12.7	12.5
36.0							34.3m x 13.5	12.3	12.1	12.0	11.8	11.7	11.5	11.3
38.0								36.9m x 11.8	11.1	10.9	10.7	10.6	10.4	10.3
40.0									39.5m x 10.3	10.0	9.8	9.6	9.5	9.3
42.0										9.1	8.9	8.8	8.6	8.5
44.0										42.1m x 9.1	8.2	8.0	7.9	7.7
46.0											44.7m x 7.9	7.3	7.2	7.0
48.0												47.3m x 6.9	6.5	6.4
50.0													49.9m x 5.9	5.7
52.0														5.0

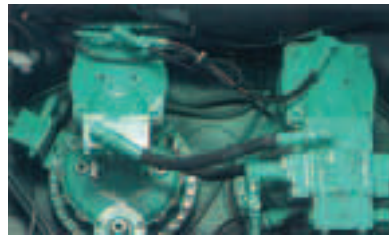
## Individual masses and outline dimensions

	Main part name	Mass (tons)	Q'ty	Dimensions(m) L x W x H																								
Main body	Main body (without "A" frame, ropes, axles and crawlers)	(31.9)	(1)	7.95 x 3.37 x 3.17																								
	Main body (with "A" frame, and without ropes, axles and crawlers)	(36.2)	(1)	9.60 x 3.37 x 3.32																								
	Main body (with "A" frame, ropes, and axles and without crawlers)	47.3	1	10.17 x 3.37 x 3.33																								
	Crawler	18.9	2	8.87 x 1.07 x 1.37																								
	Counterweight (standard)	64.0	5	4.37 x 1.80 x 1.52																								
	Additional counterweight	30.0	4	See below.																								
	Counterweight arrangement and dimensions (mm)		<table border="1" style="float: right; margin-top: 10px;"> <thead> <tr> <th colspan="2">weight (tons)</th> </tr> </thead> <tbody> <tr><td>①</td><td>18.5</td></tr> <tr><td>②</td><td>18.6</td></tr> <tr><td>③</td><td>9.8</td></tr> <tr><td>④</td><td>7.5</td></tr> <tr><td>⑤</td><td>9.6</td></tr> <tr><td>⑥</td><td>6.2</td></tr> <tr><td>⑦</td><td>7.8</td></tr> <tr><td>⑧</td><td>8.0</td></tr> <tr><td>⑨</td><td>8.0</td></tr> <tr><td>①~⑤ total</td><td>64.0</td></tr> <tr><td>①~⑨ total</td><td>94.0</td></tr> </tbody> </table> <p>①-⑤ : standard 150ton specification: ⑥-⑨ : additional weight (optional)</p>			weight (tons)		①	18.5	②	18.6	③	9.8	④	7.5	⑤	9.6	⑥	6.2	⑦	7.8	⑧	8.0	⑨	8.0	①~⑤ total	64.0	①~⑨ total
weight (tons)																												
①	18.5																											
②	18.6																											
③	9.8																											
④	7.5																											
⑤	9.6																											
⑥	6.2																											
⑦	7.8																											
⑧	8.0																											
⑨	8.0																											
①~⑤ total	64.0																											
①~⑨ total	94.0																											
Crane attachment	Inner boom (With boom limit stop)	3.1	1	7.75 x 2.65 x 2.4																								
	Outer boom (With pendant rope)	3.4	1	11.3 x 2.45 x 2.35																								
	3m insert boom (with pendant rope)	0.85	As required	3.15 x 2.45 x 2.35																								
	6m insert boom (with pendant rope)	1.35	As required	6.15 x 2.45 x 2.35																								
	9m insert boom (with pendant rope)	1.8	As required	9.15 x 2.45 x 2.35																								
	Equalizer	0.8	1	2.27 x 1.14 x 0.36																								
	Inner jib (With jib strut pendant rope)	1.1	1	6.95 x 1.35 x 1.05																								
	Outer jib (With pendant rope)	0.5	1	6.85 x 1.07 x 1.05																								
	1m aux. jib	0.35	1	1.99 x 0.64 x 0.4																								
	6m insert jib (with pendant rope)	0.25	As required	6.1 x 0.98 x 1.05																								
	150ton hook	2.4	1	0.94 x 2.21 x 0.85																								
	100ton hook	1.4	1	0.73 x 1.97 x 0.54																								
	60ton hook	1.2	1	0.8 x 1.77 x 0.5																								
	13.5ton hook (shared with luffing jib)	0.6	1	0.46 x 1.52 x 0.46																								
Luffing attachment	Inner post (with inner post yoke and stabilizer)	5.3	1	7.75 x 2.65 x 2.4																								
	Tower top (with top sheave block)	2.9 (3.6)	1	4.86 x 3.02 x 2.35																								
	3m insert post (shared with 3m insert boom)	0.95	As required	3.15 x 2.45 x 2.35																								
	6m insert post (shared with 6m insert boom)	1.50	As required	6.15 x 2.45 x 2.35																								
	9m insert post (shared with 9m insert boom)	2.10	As required	9.15 x 2.45 x 2.35																								
	Middle equalizer	0.3	1	1.21 x 0.76 x 0.33																								
	Strut	2.6	set	7.42 x 2.07 x 1.15																								
	Tower inner jib (with jib limit stop)	1.82	1	9.15 x 2.57 x 1.5																								
	Tower outer jib (with pendant rope)	1.1	1	9.4 x 2.1 x 1.61																								
	3m tower insert jib (with pendant rope)	0.28	As required	3.1 x 1.6 x 1.5																								
	6m tower insert jib (with pendant rope)	0.48	As required	6.1 x 1.6 x 1.5																								
	9m tower insert jib (with pendant rope)	0.67	As required	9.1 x 1.6 x 1.5																								
	50ton hook (for post operations)	1.0	1	0.8 x 1.9 x 0.43																								
	25ton hook (shared with post and jib operations)	1.0	1	0.8 x 1.61 x 0.35																								

- ◆ Diagrams shown have been drawn for catalog purposes and may differ from actual products.
- ◆ Specifications are subject to change without notice due to technical improvements or modifications.

# OPERATOR ORIENTED DESIGN ENSURES SAFE AND EFFECTIVE OPERATION OF GREAT 150-TON

*Highest rope speeds in this class 110 meter/minute Load Hoist/Lowering*



## ● Powerful Swing

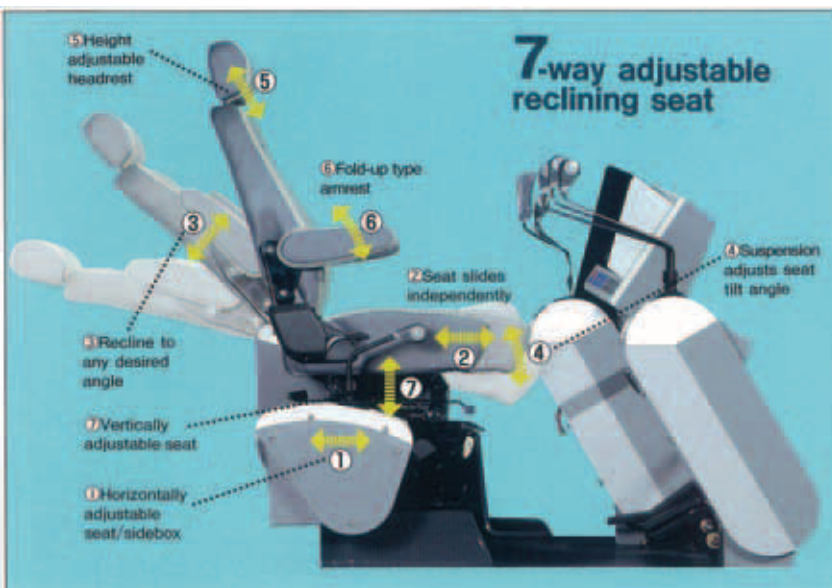
Powerful double-hydraulic-motor for swing motion is independent from all other operations.



## ● Full Power-Efficient Hydraulic Control System

Two variable displacement pumps and one gear pump incorporated into engine provide the most effective usage of engine output. Hydraulic flow and pressures are automatically regulated to deliver high flow and low pressure for lighter loads, low flow and high pressure under heavy loading.

Hydraulic Motors to drive main drum, auxiliary drum, the third drum and boom hoist/lowering drum are independently controlled to match each operating speeds. (The third drum is optional for application other than the luffing jib crane)



## ● Dial system controller

Hydraulic pump delivery volume is controlled in conjunction with engine speed supplemented by and independent swash-plate angle control dial. The device provides easy, accurate and precise inching work.



## ● Wide visibility and deluxe control stands

Dazzle free front glass, radio, intermittent windshield wiper, sunshade, stowbox are standard equipped. Levers, pedals, switches are logically located for safe and easy operation. Engine throttle switch is integrated on swing lever grip. Winch mode switch (select foot or automatic) is located on main and aux. hoist levers.





**CCH1500-5**  
With additional counterweight  
(optional)



**IHI Construction Machinery Limited**

Kishi-Tokai Bldg.,8-4-4, Nishikamata, Ota-ku, Tokyo 144-8577, JAPAN  
Phone: 81-3-5714-8844 Fax: 81-3-5714-8840, 8841

Specifications are subject to change without notice due to technical improvements or modifications.  
Distributed by

