

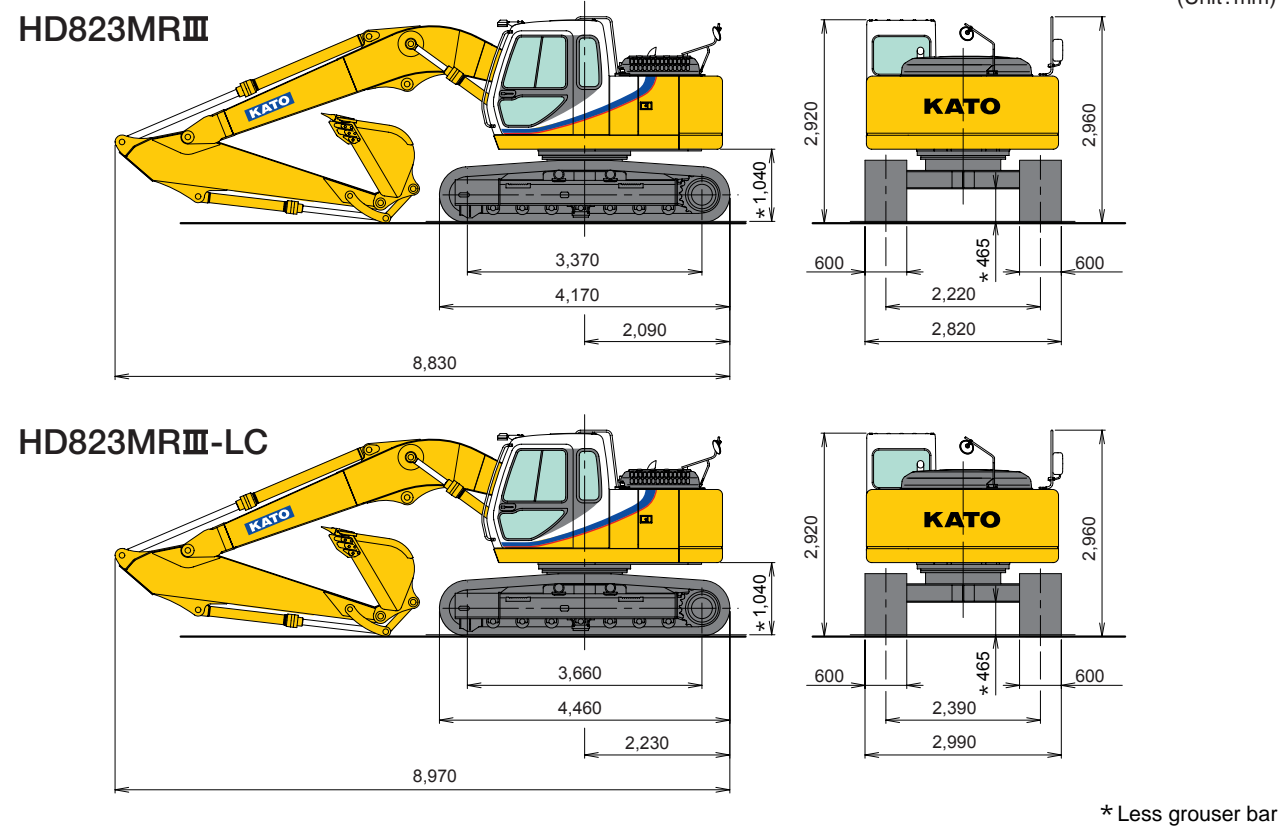
**HD823MRⅢ
HD823MRⅢ-LC**

COMPACT TAIL SWING MODEL

Bucket capacity: 0.45m³ - 1.1m³ (ISO)
Engine output: 110kW/2,050min⁻¹ (ISO Net)
Operating weight: 22,000kg (HD823MRⅢ) /
22,700kg (HD823MRⅢ-LC)

Dimensions

(Unit: mm)



General data

Model name	HD823MRⅢ
Operating weight	22,000 kg: HD823MRⅢ / 22,700 kg: HD823MRⅢ-LC
Bucket capacity	0.45 ~ 1.1 m ³ (ISO)
Swing speed	13.5 min ⁻¹
Travel speed	5.5/3.6/2.5 km/h
Bucket/arm digging force	136 kN/99 kN {high-power mode: 144 kN/104 kN}
Standard shoe width	600 mm
Ground pressure	49 kPa: HD823MRⅢ / 47 kPa: HD823MRⅢ-LC
Engine model	Mitsubishi 6D34-TLE2A, 4 cycle intercooler turbo-charged diesel engine
Rated engine output	110 kW/2,050 min ⁻¹
Fuel tank capacity	320 L
Hydraulic pump type	Double variable piston pump and gear pump
Set pressure	31.4 MPa/32.9 MPa Travel only
Travel motor type	Piston motor x 2
Hydraulic oil tank capacity	260 L (level 165 L)

NOTE : Illustrations may include optional equipment. KATO products and specifications are subject to improvements and changes without notice.

Address inquiries to :

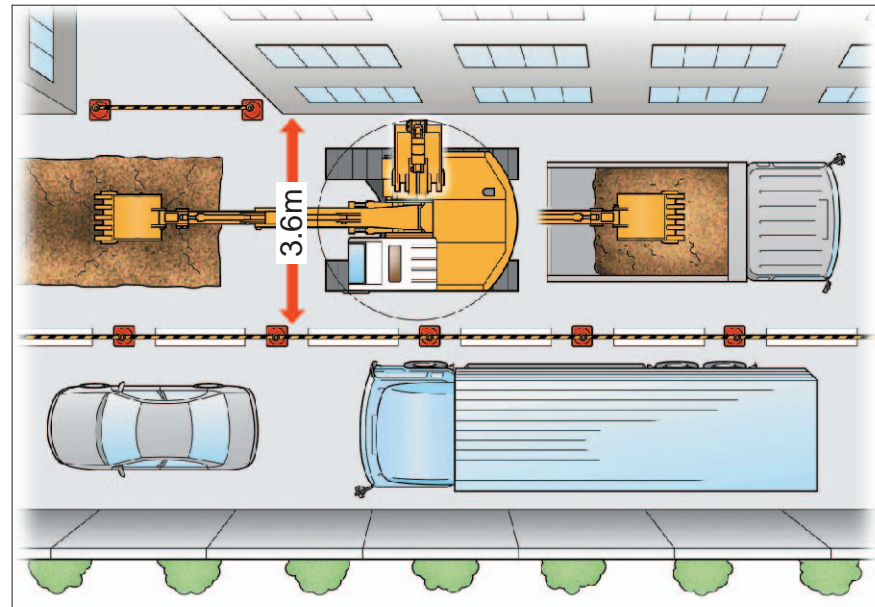


KATO WORKS CO.,LTD.

9-37, Higashi-ohi 1-chome, Shinagawa-ku, Tokyo 140-0011, Japan.
Tel. : Head Office Tokyo(03)3458-1111
Overseas Marketing Department Tokyo(03)3458-1115
Fax. : Tokyo(03)3458-1152
URL http://www.kato-works.co.jp



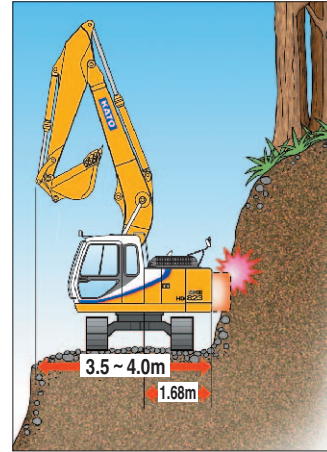
IT'S CITYRANGE WORKABLE IN THE LIMITED



Compact Swing Radius

Compact swing radius fit in narrow street gives us greater opportunity to get job done without stress on the street.

Compact tail swing radius way in handles big work in the tight space safely without hit own tail.



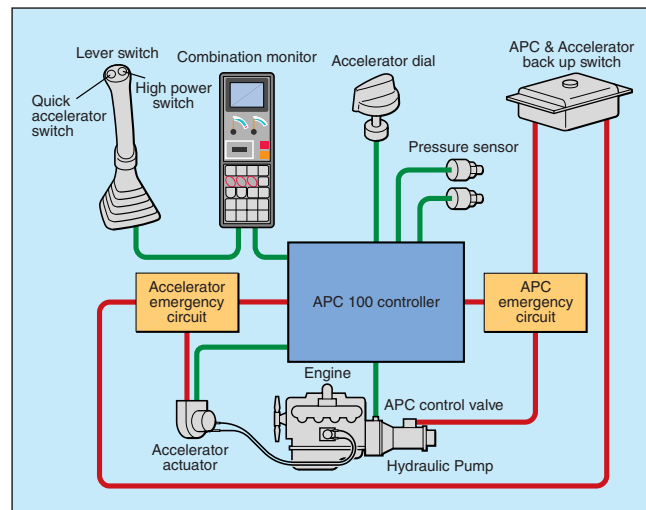
Precision Work

State of the art combination with computer system "APC(Automatic Power Control)", hydraulic system and also fatigue free operator's seat pulls out precision fine work on your demands always.

Comfortable Cabin

Low mechanical & Hydraulic noise and also low vibration dumped by 6 points viscous mounting cab suspension reduce fatigue of operator even in heavy work.

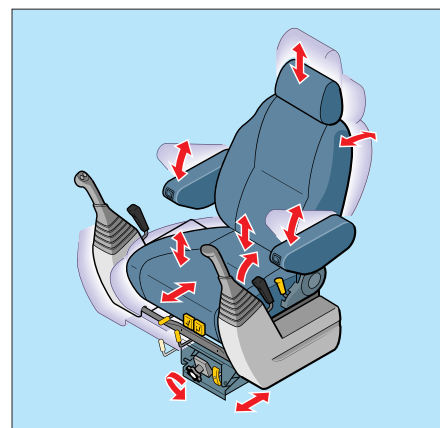
Wide visibility from the eye point of the operator sit in the comfortable operator's seat guarantees the safe and fine works at the tight corner of the narrow job site. Also easy access to all levers and switches from the operator's position keeps comfortable operation. Try our super cabin, and you will never forget about the feeling of "Super-Exceed".



APC(Automatic Power Control) system



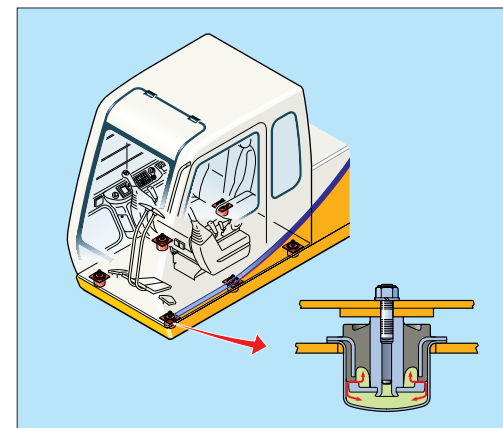
Combination monitor



Exceptionally comfortable suspension seat is adjustable to the operator's weight

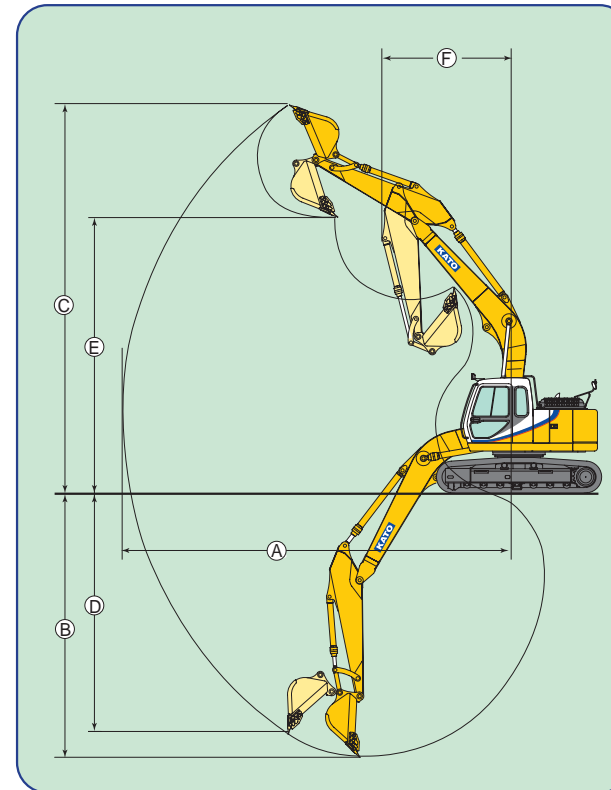


Comfort features are included to keep you from feeling fatigue! A wide large-model cab



Six-point viscous damping cab suspension

Working Ranges



(Unit : mm)

Range (mm)	Arm	Short Arm (2.43m)	STD Arm (2.93m)	Long Arm (3.92m)
A)-Max. digging radius		9,470 (9,470)	9,910 (9,910)	10,840 (10,840)
* B)-Max. digging depth		6,200 (4,760)	6,690 (5,260)	7,690 (6,260)
* C)-Max. digging height		9,550 (10,930)	9,770 (11,290)	10,310 (12,080)
* D)-Max. vertical wall		5,600 (4,220)	6,120 (4,720)	7,160 (5,730)
* E)-Max. dumping height		6,700 (7,850)	6,840 (8,210)	7,350 (9,010)
F)-Min. swing radius		3,580 (1,980)	3,460 (1,910)	3,400 (2,110)

*Less grouser bar.

Values in () are for the small swing position.

Bucket

Type of bucket	Backhoe bucket							Dredging bucket	Slope forming bucket
Bucket capacity	m ³ , ISO	0.45	0.55	0.80	0.90	1.0	1.1	0.65	—
Bucket width	W/O side cutters, mm	650	800	1,020	1,190	1,270	1,400	2,400 45° 350	2,000 x 1,250
	with side cutters, mm	765	915	1,135	1,305	1,385	—		
Bucket weight	kg	520	570	640	710	760	760	770	980
Number of bucket teeth		4	4	5	5	5	6	2	—
Shape of bucket									
Standard boom +	Short arm						()		
	Standard arm						()		
	Long arm					x	x	x	x
	Extension arm		x	x	x	x	x	x	x

General purpose Light work Loading Usable x Unusable
Yellow colored area means standard.

() =HD823MR III-LC

Track Shoes

Type of shoes	Grouser shoe				Flat shoe	Triangle shoe	
Shoe width mm	HD823MR III	600	700	800	—	600	800
	HD823MR III-LC	600	700	800	900	600	800
Overall width mm	HD823MR III	2,820	2,920	3,020	—	2,820	3,020
	HD823MR III-LC	2,990	3,090	3,190	3,290	2,990	3,190
Ground pressure kPa	HD823MR III	49	43	38	—	51	40
	HD823MR III-LC	47	41	36	33	49	38
Net weight change kg	HD823MR III	S.T.D	400	700	—	900	1,500
	HD823MR III-LC	S.T.D	200	500	800	700	1,300

Yellow colored area means standard.