

Innovations For The Future

Eco & Tough



KATO

REGZM

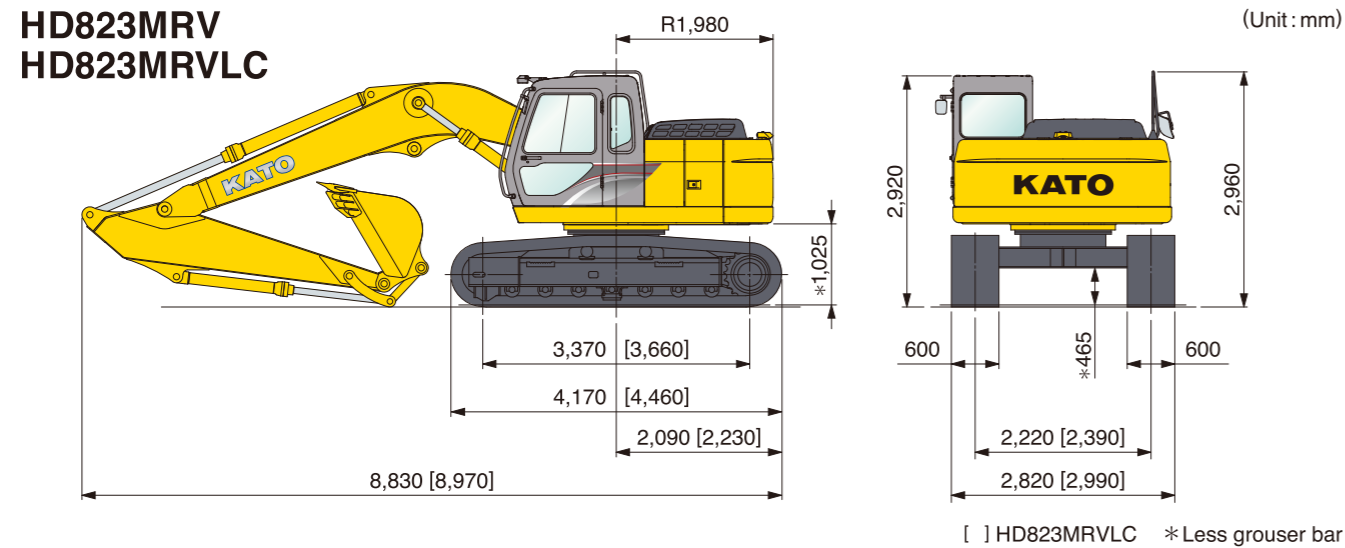
FULLY HYDRAULIC EXCAVATOR

HD823^{MRV}

COMPACT TAIL SWING MODEL

Bucket capacity: 0.45m³-1.1m³ (ISO)
 Engine output: 112.5kW / 2,000min⁻¹ (ISO Net)
 Operating weight: 22,600kg (HD823MRV)
 23,300kg (HD823MRVLC)

Dimensions



General data

- Model name HD823MRV
- Operating weight 22,600kg : HD823MRV / 23,300kg : HD823MRVLC
- Bucket capacity 0.45~1.1m³ (ISO)
- Swing speed 13.5min⁻¹
- Travel speed High: 5.5km/h / Low: 3.6km/h
- Bucket / arm digging force 150kN / 109kN (High power mode: 159kN / 115kN)
- Standard shoe width 600mm
- Ground pressure 50kPa : HD823MRV / 48kPa : HD823MRVLC
- Engine model Mitsubishi 4M50-TLE3A, 4 cycle intercooler turbo charged diesel engine
- Rated engine output 112.5kW / 2,000min⁻¹
- Fuel tank capacity 330L
- Hydraulic pump type Double variable piston pump and gear pump
- Set pressure 34.3MPa / 36.3MPa High power mode
- Travel motor type Piston motor x 2
- Hydraulic oil tank capacity 270L (Level 160L)

NOTE : Illustrations may include optional equipment. KATO products and specifications are subject to improvements and changes without notice.

Address inquiries to :

KATO

KATO WORKS CO.,LTD.

9-37, Higashi-ohi 1-chome, Shinagawa-ku, Tokyo 140-0011 Japan.

Tel. : Head Office Tokyo(03)3458-1111

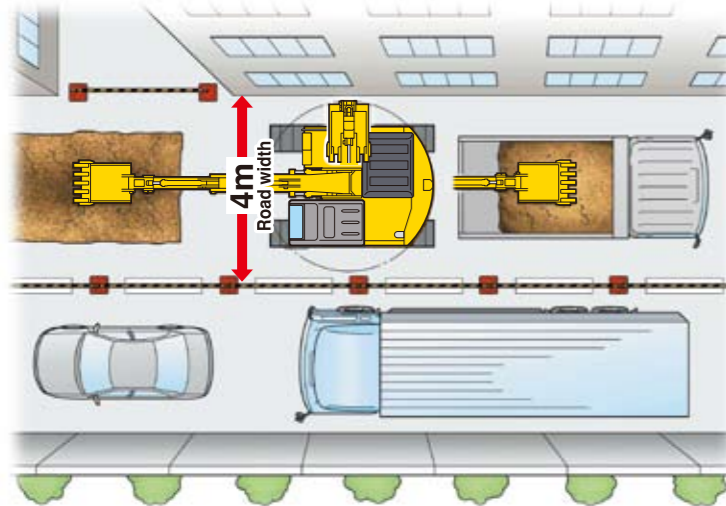
Overseas Marketing Department Tokyo(03)3458-1115

Fax. : Tokyo(03)3458-1163

URL <http://www.kato-works.co.jp>

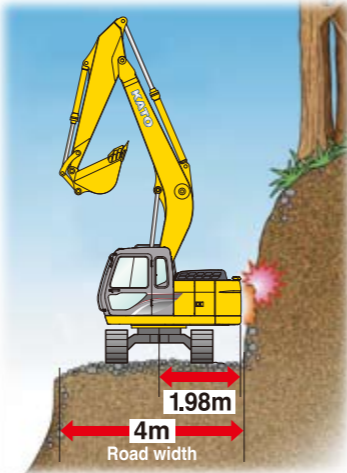


It's Cityrange Workable in the Limited.



COMPACT SWING RADIUS

Compact swing radius fits perfectly in narrow work site. It allows operator to handle precise work safely in the tight space without hitting own tail.



COMFORTABLE CABIN



New Display APC200

- Color monitor display with back up light.
- Quick Selection of Working Modes.

Rear View Monitor

- This built-in rear view monitoring camera helps operator to prevent accidents towards rear of the excavator.



PROMINENT FEATURES



Powerful & Steady Operation

Arm Digging Force: 109kN (with High Power: 115kN)
 Bucket Digging Force: 150kN (with High Power: 159kN)



Advanced Noise Reduction Technology

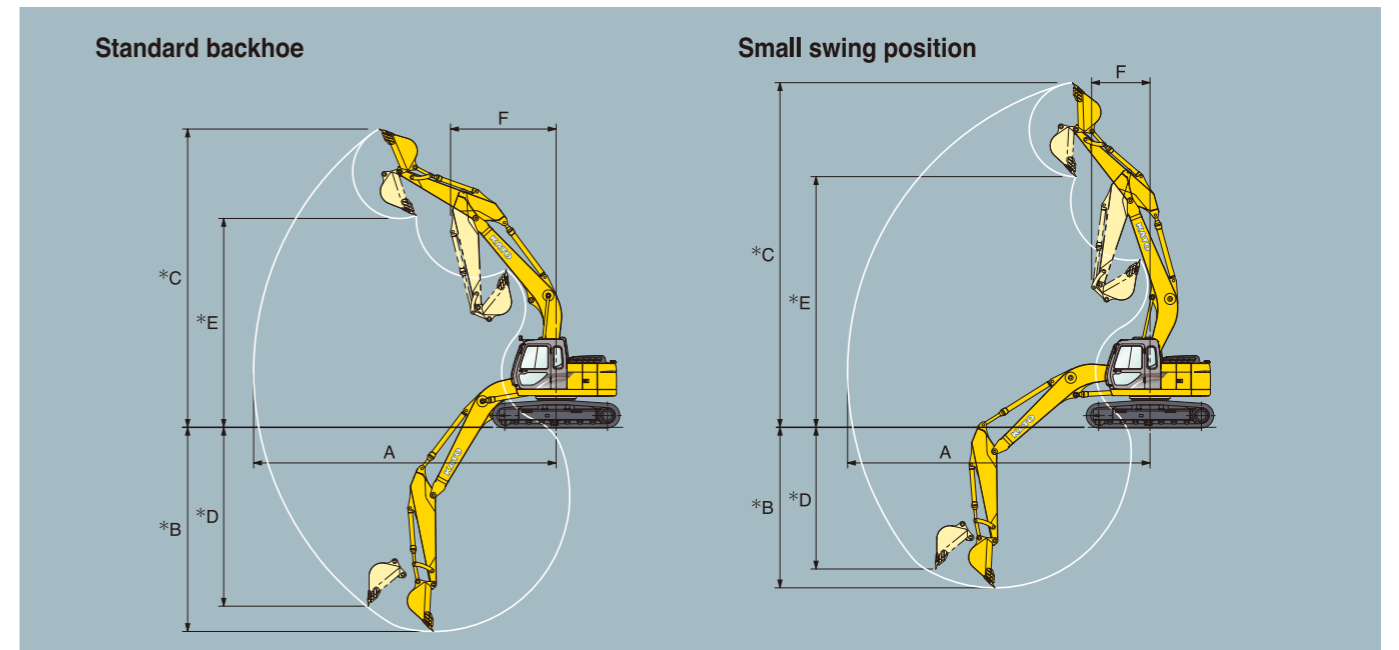
Our new advanced noise reduction technology is adopting low noise exhaust muffler and advanced low noise hydraulic system offers fatigue-free and safer operation.



Responsible Emission Control and Lower Fuel Consumption

Mitsubishi 4M50-TLE3A
 112.5kW / 2,000min⁻¹

Working Ranges



Range	Arm	Standard backhoe			Small swing position		
		Short Arm 2.43m	STD Arm 2.93m	Long Arm 3.92m	Short Arm 2.43m	STD Arm 2.93m	Long Arm 3.92m
A : Max. digging radius		9,470	9,910	10,840	9,470	9,910	10,840
* B : Max. digging depth		6,200	6,690	7,690	4,760	5,260	6,260
* C : Max. digging height		9,550	9,770	10,310	10,930	11,290	12,080
* D : Max. vertical wall		5,340	5,860	7,050	4,150	4,640	5,650
* E : Max. dumping height		6,700	6,840	7,350	7,850	8,210	9,010
F : Min. swing radius		3,580	3,460	3,400	1,980	1,910	2,110

Unit : mm

* Less grouser bar

Bucket

Type of bucket	Backhoe bucket						
Bucket capacity m ³ , ISO	0.45	0.55	0.80	0.90	1.0	1.1	
Bucket width	W / O side cutters, mm						
	650	800	1,020	1,190	1,270	1,400	
	with side cutters, mm						
	760	910	1,130	1,300	1,380	—	
Standard boom +	Short arm	●	●	●	●	▲ [●]	□
	Standard arm	●	●	●	●	▲ [●]	□
	Long arm	●	●	▲	▲	×	×
	Extension arm	●	×	×	×	×	×

● General purpose ▲ Light work □ Loading × Unusable — No setting ○ Yellow colored area means standard.

Track Shoes

Type of shoes	Grouser shoe				Flat shoe	Triangle shoe
Shoe width mm	600	700	800	900	600	800
Overall width mm	2,820 [2,990]	2,920 [3,090]	3,020 [3,190]	3,120 [3,290]	2,820 [2,990]	3,020 [3,190]
Ground pressure kPa	51 [48]	44 [42]	39 [37]	35 [33]	53 [50]	44 [38]
Net weight change kg	S.T.D	400 [200]	700 [500]	— [800]	900 [700]	1,500 [1,300]

[] HD823MRVLC